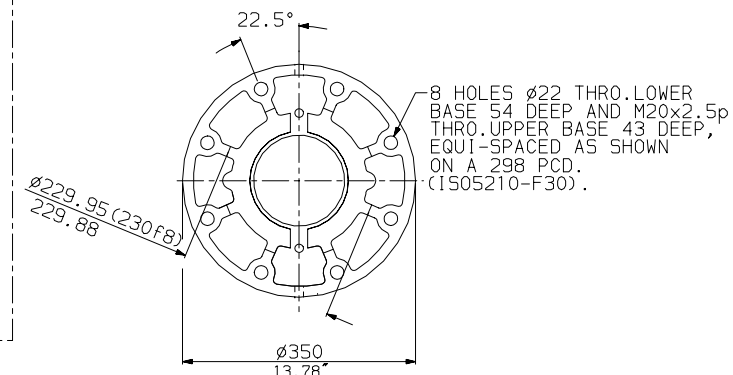
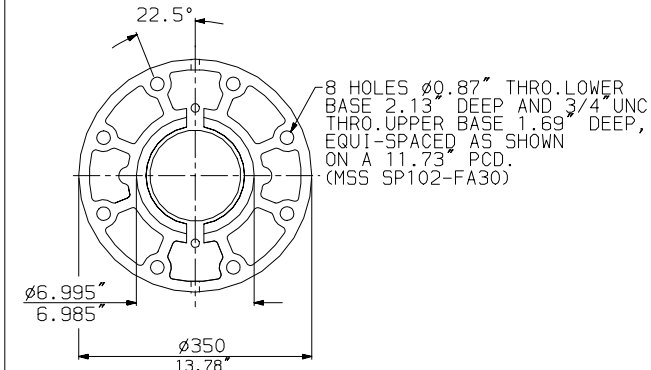
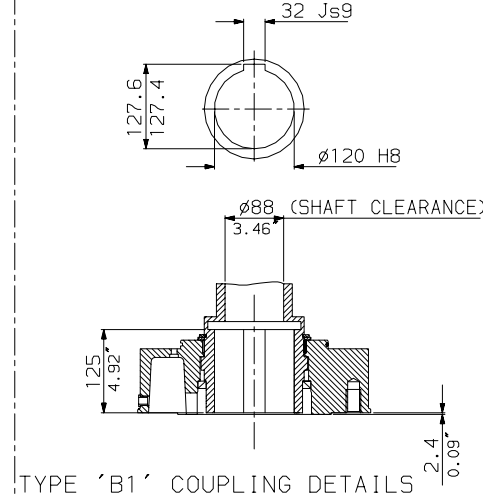
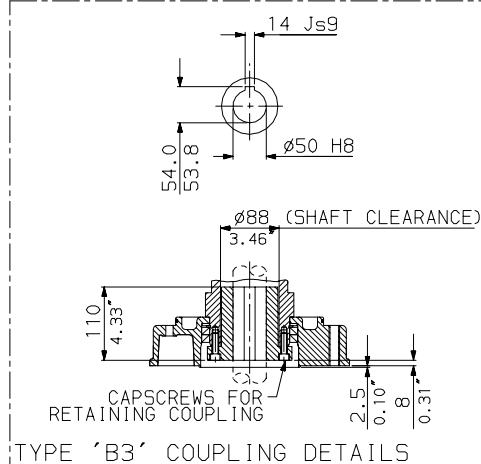
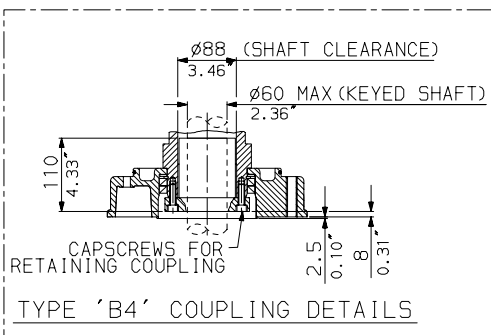


IQ90 THRUST BASES

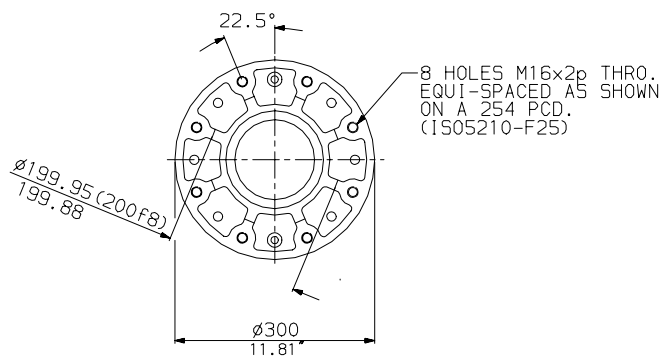
IQ90 NON-THRUST BASES



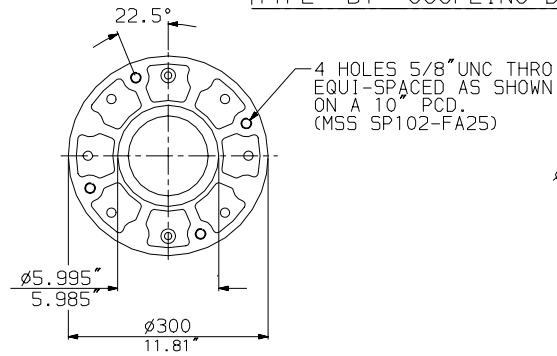
F30 BASE DETAILS FOR 'A' & 'Z' COUPLING



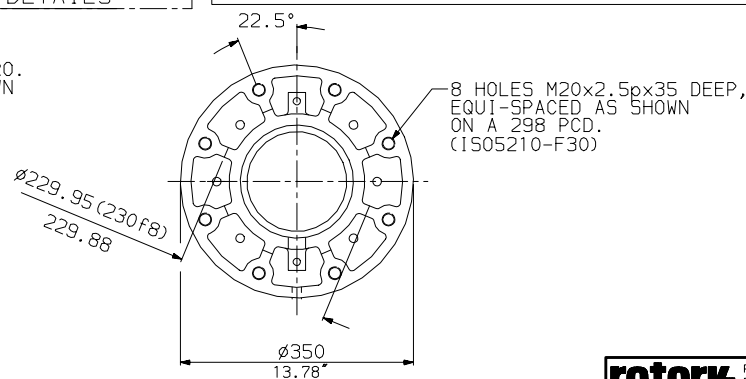
FA30 BASE DETAILS FOR 'A' & 'Z' COUPLING



F25 BASE DETAILS FOR 'B3' & 'B4' COUPLING

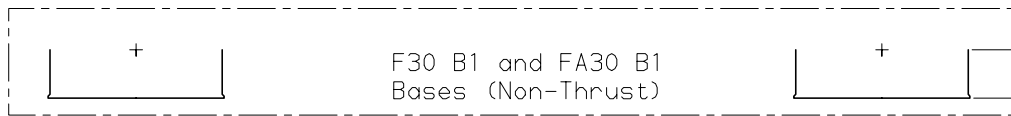
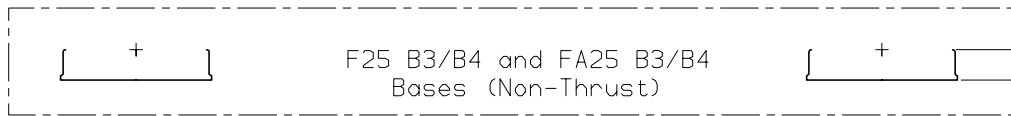
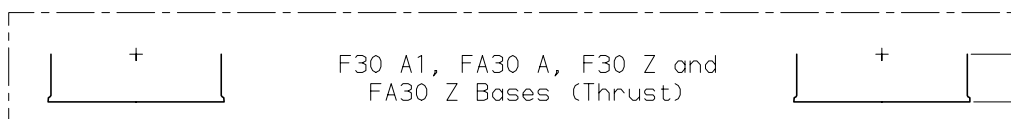
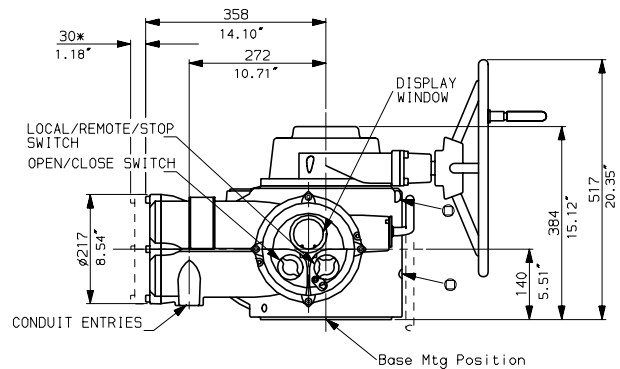
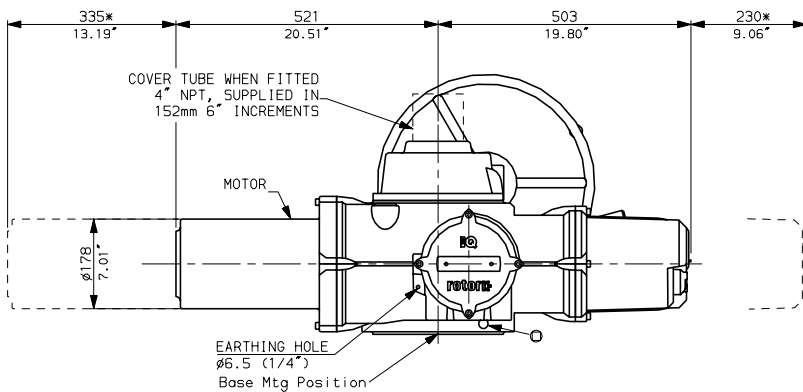
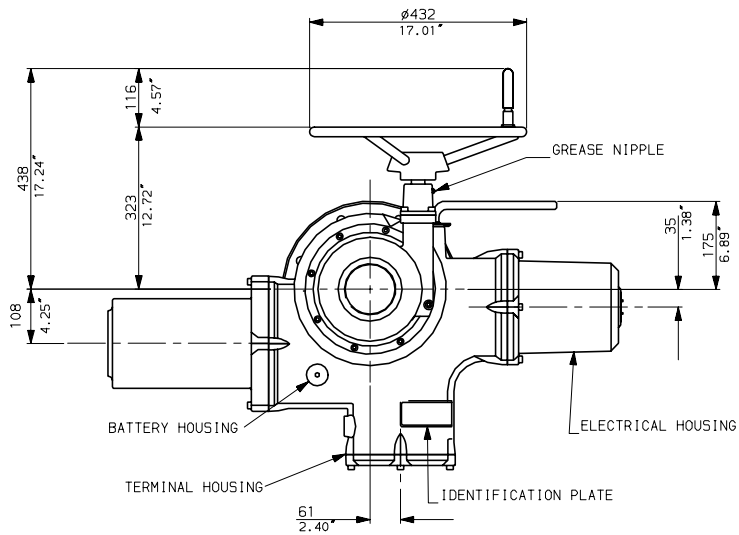


FA25 BASE DETAILS FOR 'B3' & 'B4' COUPLING

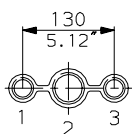


F30 BASE DETAILS FOR 'B1' COUPLING

IQ90 WITH SIDE HANDWHEEL



CONDUIT ENTRIES



Nos.1 & 3 TAPPED 1" NPT
 No.2 TAPPED 1 1/2" NPT
 STANDARD ALTERNATIVES IF SPECIFIED
 2 X M25, 1 X M40
 2 X PG16, 1 X PG29

NOTES

Three BASE options are detailed to suit the relevant Coupling arrangement. The required BASE for the SIDE & END views should be loaded to position indicated.

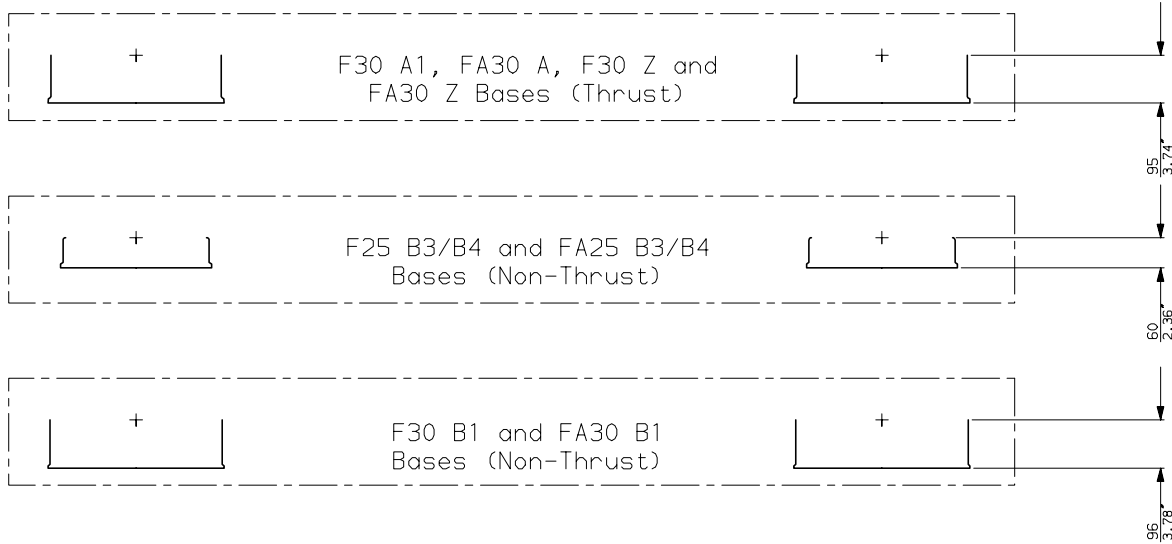
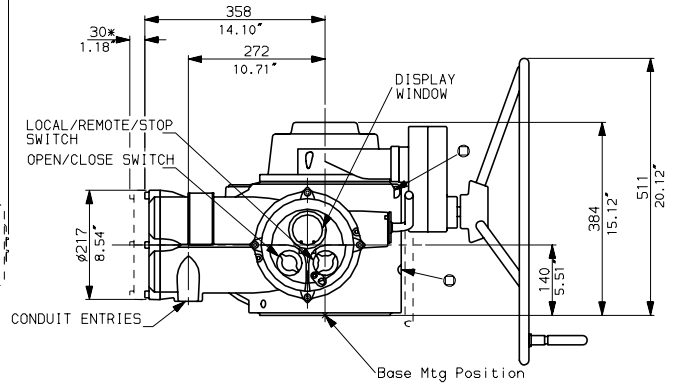
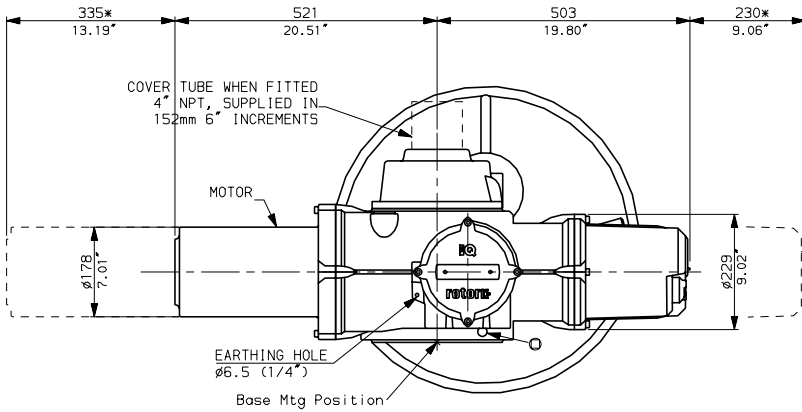
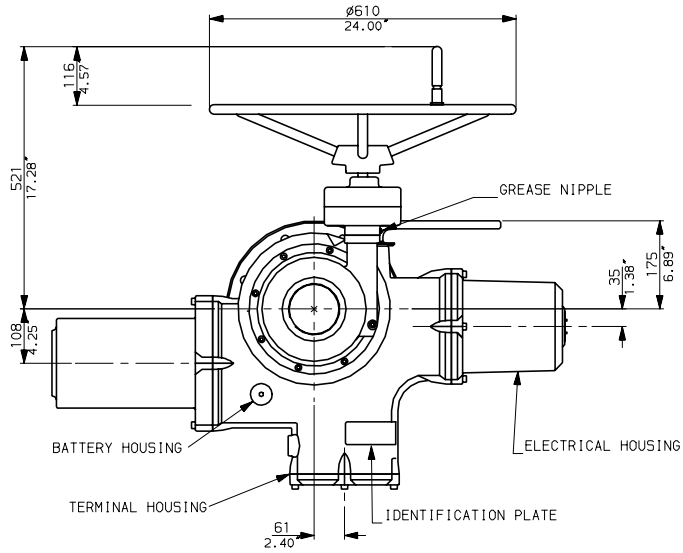
rotork

IQ90 (SHW) DATA

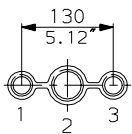
Date 020401

Scale 1:15

IQ90 WITH OPTIONAL SPURRED SIDE HANDWHEEL



CONDUIT ENTRIES



Nos.1 & 3 TAPPED 1" NPT
 No.2 TAPPED 1 1/2" NPT
 STANDARD ALTERNATIVES IF SPECIFIED
 2 X M25, 1 X M40
 2 X PG16, 1 X PG29

NOTES

Three BASE options are detailed to suit the relevant Coupling arrangement.
 The required BASE for the SIDE & END views should be loaded to position indicated.

rotork

IQ90 (SSHW) DATA

Date 020401

Scale 1:15