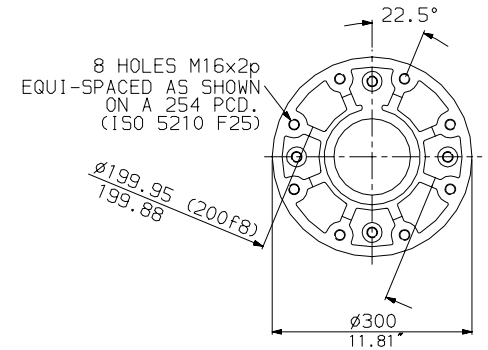
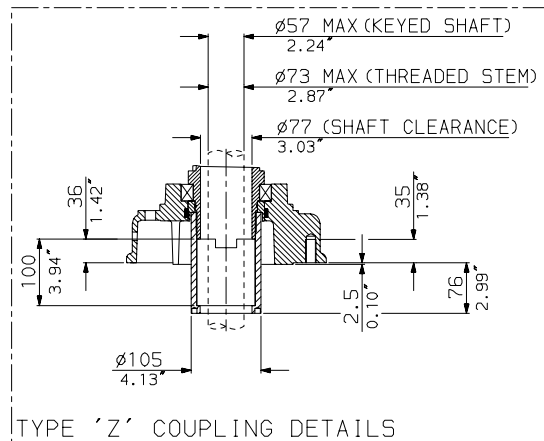
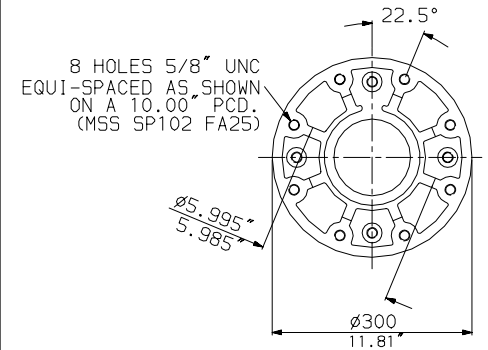
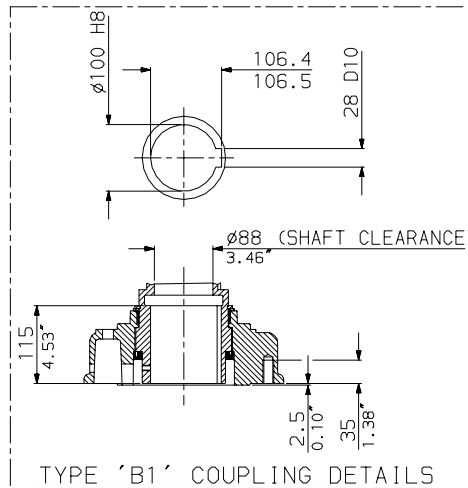
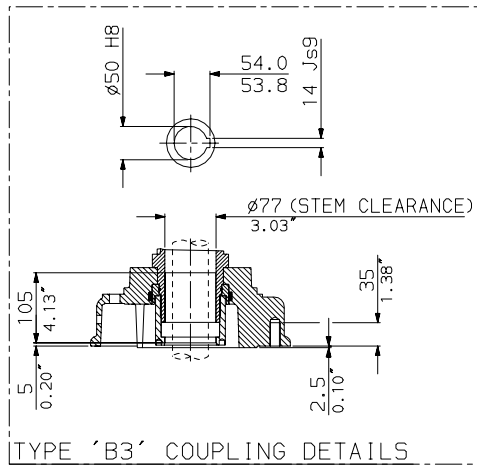


IQ40 THRUST BASES

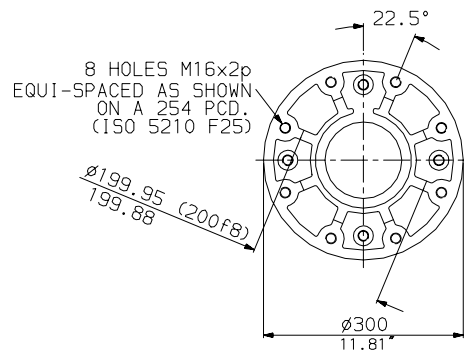
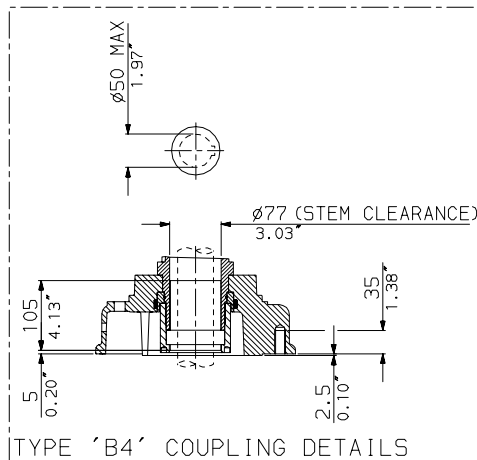


F25 BASE DETAILS
FOR 'A' & 'Z' & 'B' COUPLINGS

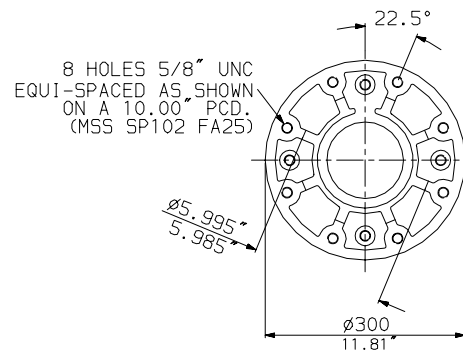
IQ40 NON-THRUST BASES



FA25 BASE DETAILS
FOR 'A' & 'Z' & 'B' COUPLINGS

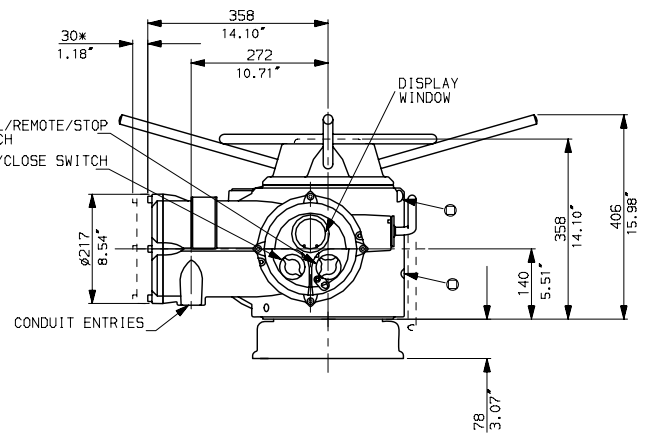
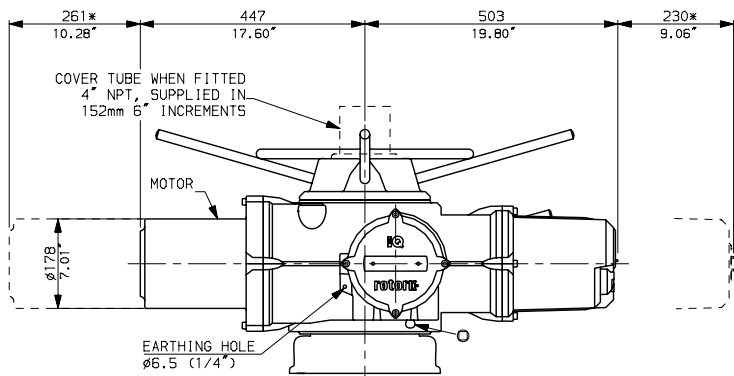
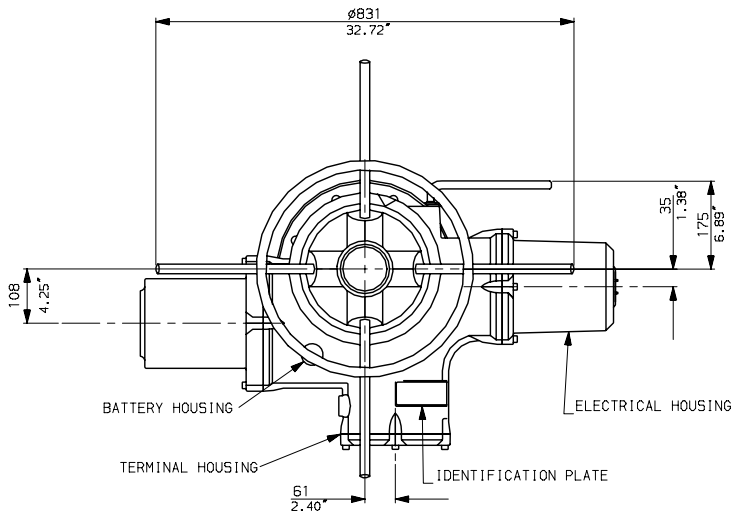


F25 BASE DETAILS
FOR 'A' & 'Z' & 'B' COUPLINGS



FA25 BASE DETAILS
FOR 'A' & 'Z' & 'B' COUPLINGS

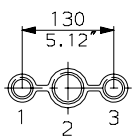
IQ40 WITH STANDARD
TOP HANDWHEEL



NOTES

F25 A/Z/B1/B3/B4 and FA25 A/Z/B1/B3/B4
Bases (Thrust & non-thrust)
are detailed to suit the relevant coupling arrangements
available for IQ40.

CONDUIT ENTRIES



Nos.1 & 3 TAPPED 1" NPT
No.2 TAPPED 1 1/2" NPT
STANDARD ALTERNATIVES IF SPECIFIED
2 X M25, 1 X M40
2 X PG16, 1 X PG29

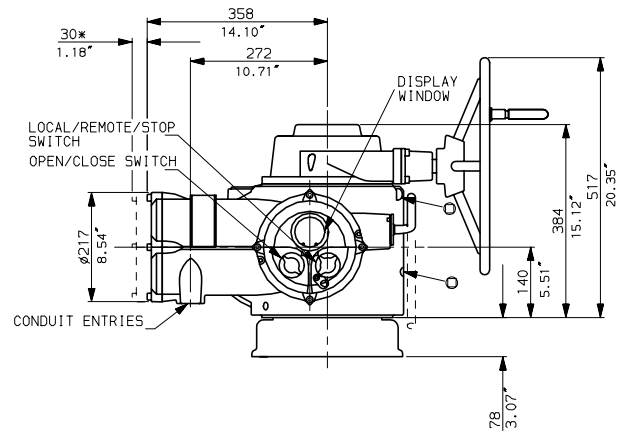
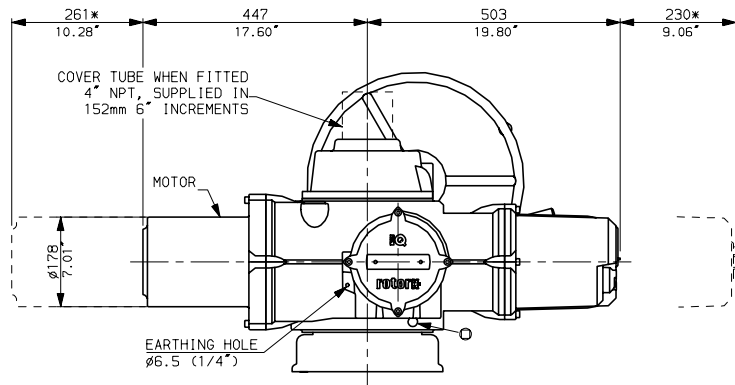
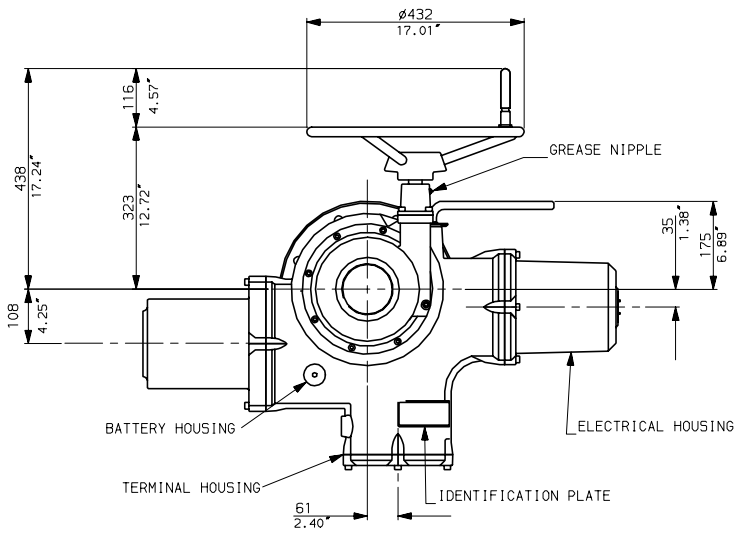
rotork

IQ40 (THW) DATA

Date 210508

Scale 1:15

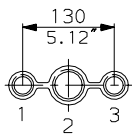
IQ40 WITH OPTIONAL SIDE HANDWHEEL



NOTES

F25 A/Z/B1/B3/B4 and FA25 A/Z/B1/B3/B4 Bases (Thrust & non-thrust) are detailed to suit the relevant coupling arrangements available for IQ40.

CONDUIT ENTRIES



Nos.1 & 3 TAPPED 1" NPT
 No.2 TAPPED 1 1/2" NPT
 STANDARD ALTERNATIVES IF SPECIFIED
 2 X M25, 1 X M40
 2 X PG16, 1 X PG29

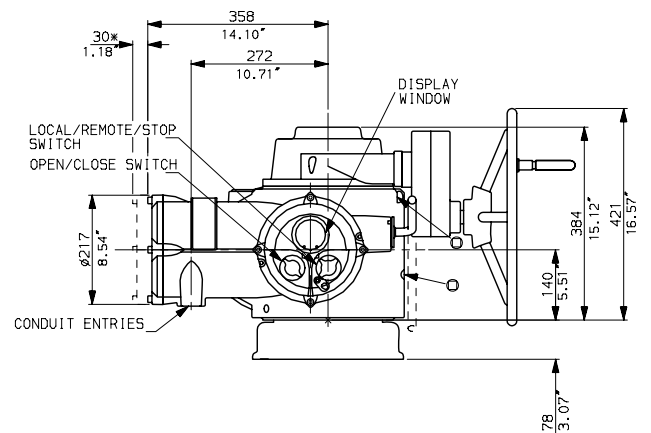
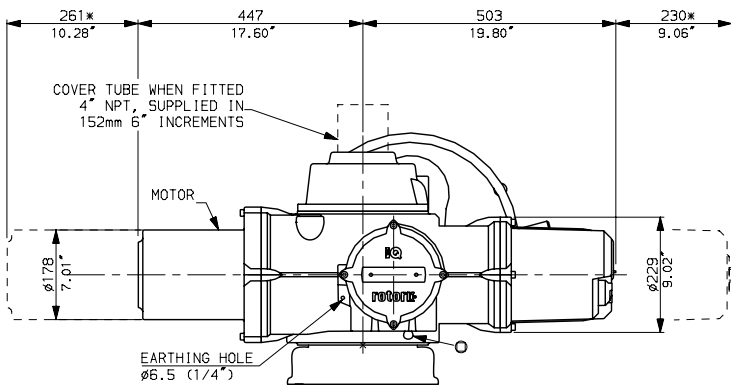
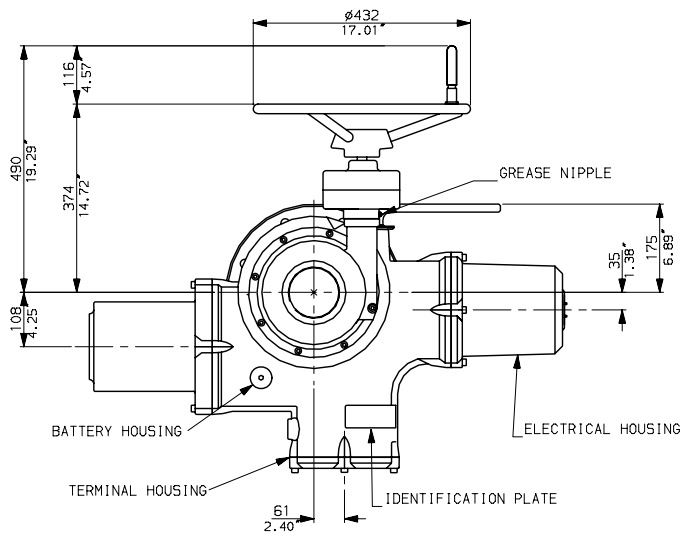
rotork

IQ40 (SHW) DATA

Date 020401

Scale 1:15

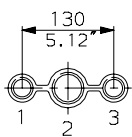
IQ40 WITH OPTIONAL
SPUR SIDE HANDWHEEL



NOTES

F25 A/Z/B1/B3/B4 and FA25 A/Z/B1/B3/B4
Bases (Thrust & non-thrust) are detailed
to suit the relevant coupling arrangements
available for IQ40.

CONDUIT ENTRIES



Nos.1 & 3 TAPPED 1" NPT
No.2 TAPPED 1 1/2" NPT
STANDARD ALTERNATIVES IF SPECIFIED
2 X M25, 1 X M40
2 X PG16, 1 X PG29

rotork

IQ40 (SSHW) DATA

Date 020605

Scale 1:15