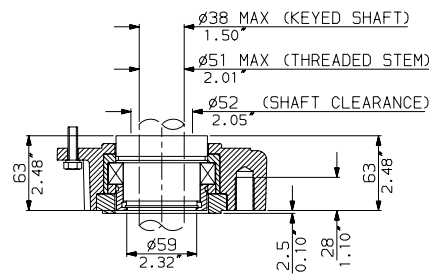
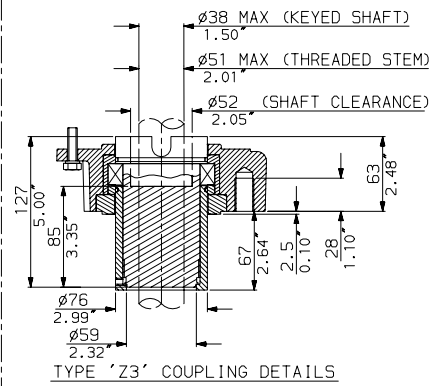


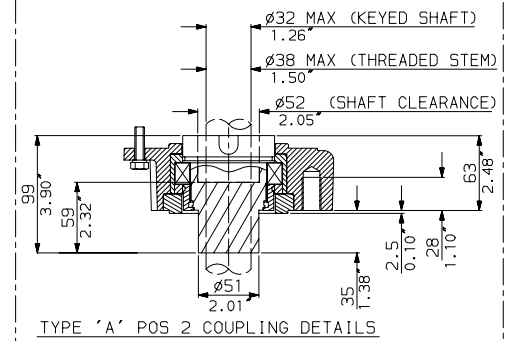
TYPE 'A' COUPLING DETAILS



TYPE 'Z' COUPLING DETAILS



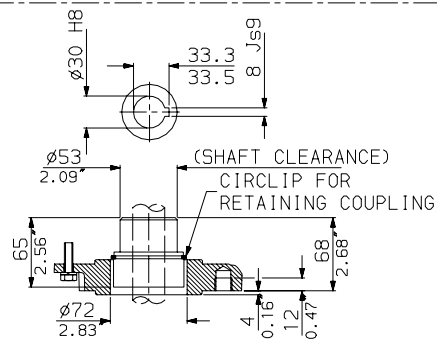
TYPE 'Z3' COUPLING DETAILS



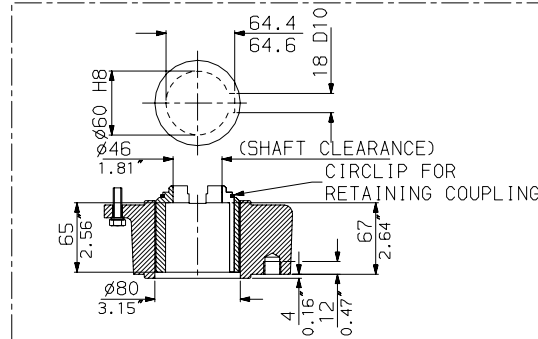
TYPE 'A' POS 2 COUPLING DETAILS

IQ20-25 THRUST BASES

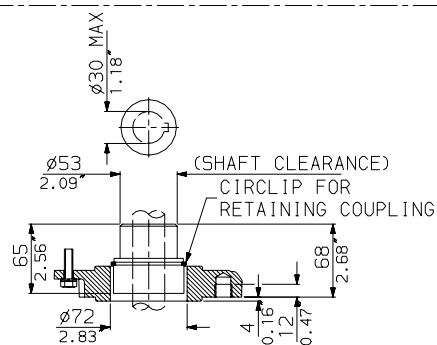
IQ20-25 NON-THRUST BASES



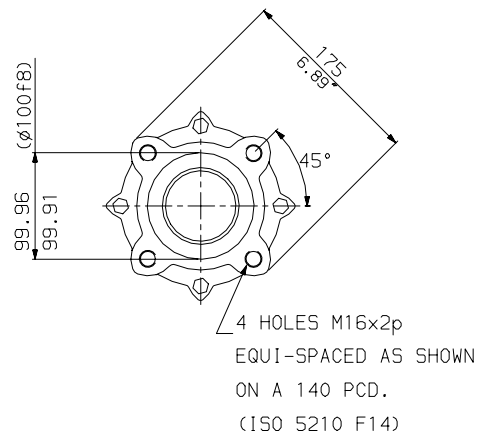
TYPE 'B3' COUPLING DETAILS



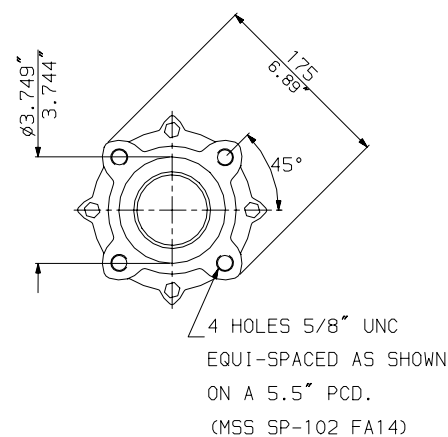
TYPE 'B1' COUPLING DETAILS



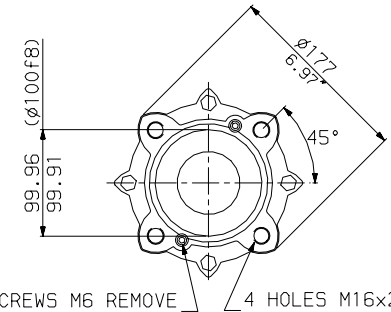
TYPE 'B4' COUPLING DETAILS



F14 BASE DETAILS
FOR 'B' COUPLINGS



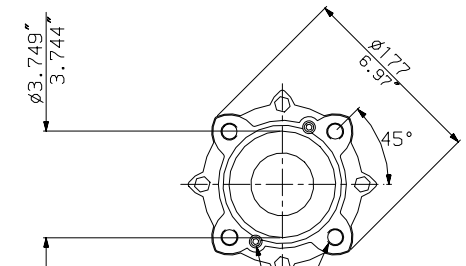
FA14 BASE DETAILS
FOR 'B' COUPLINGS



2 CAPSCREWS M6 REMOVE
IN ORDER TO WITHDRAW
DRIVE COUPLING

4 HOLES M16x2p
EQUI-SPACED AS SHOWN
ON A 140 PCD.
(ISO 5210 F14)

F14 BASE DETAILS
FOR 'A' & 'Z' COUPLINGS

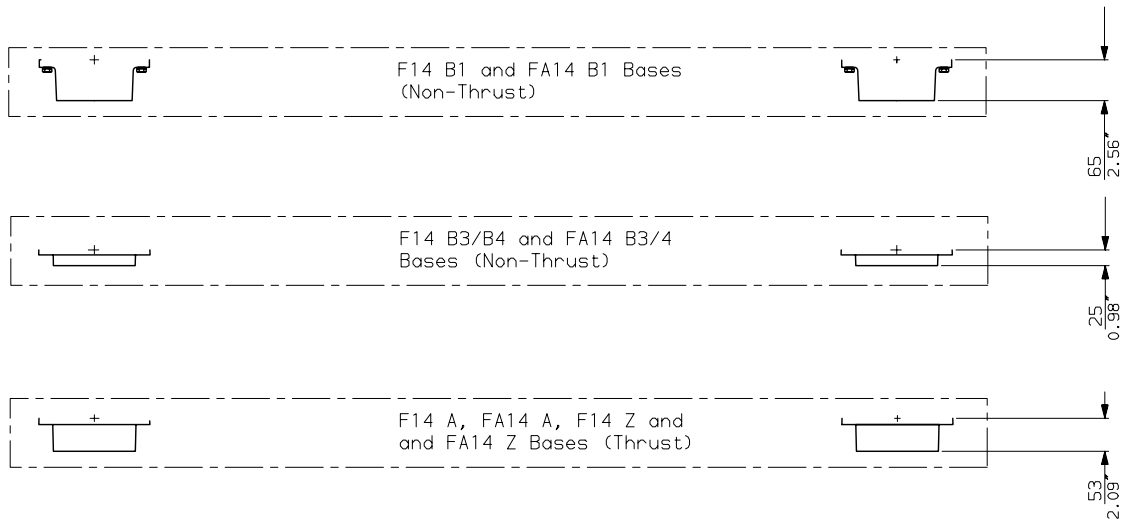
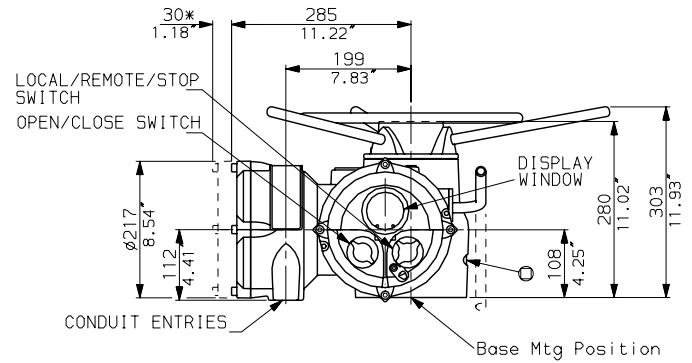
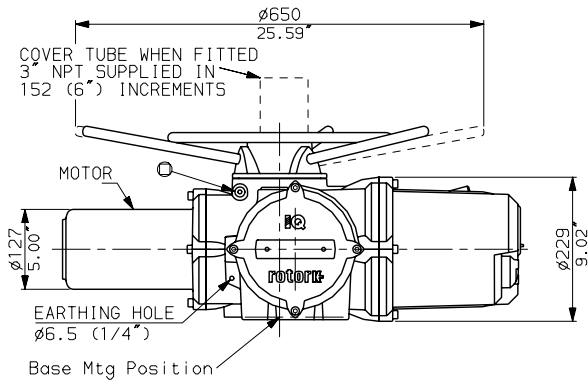
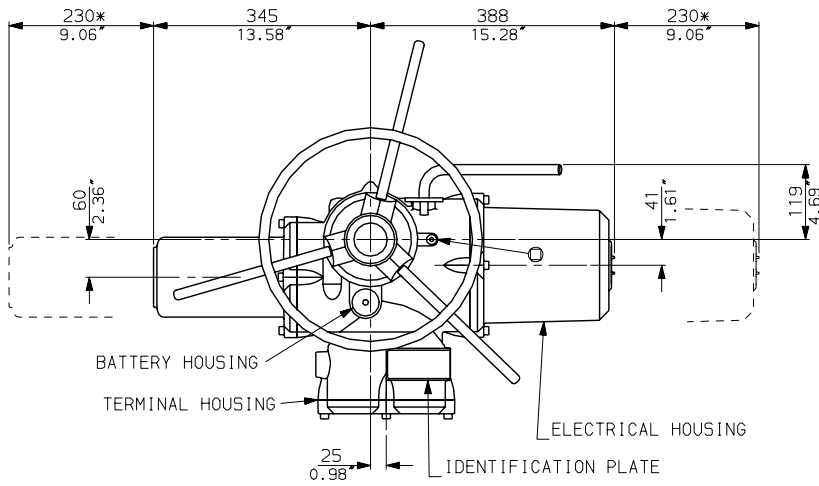


2 CAPSCREWS M6 REMOVE
IN ORDER TO WITHDRAW
DRIVE COUPLING

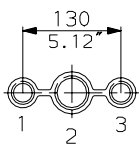
4 HOLES 5/8" UNC
EQUI-SPACED AS SHOWN
ON A 5.5" PCD.
(MSS SP-102 FA14)

FA14 BASE DETAILS
FOR 'A' & 'Z' COUPLINGS

IQ20-25 WITH STANDARD HANDWHEEL



CONDUIT ENTRIES



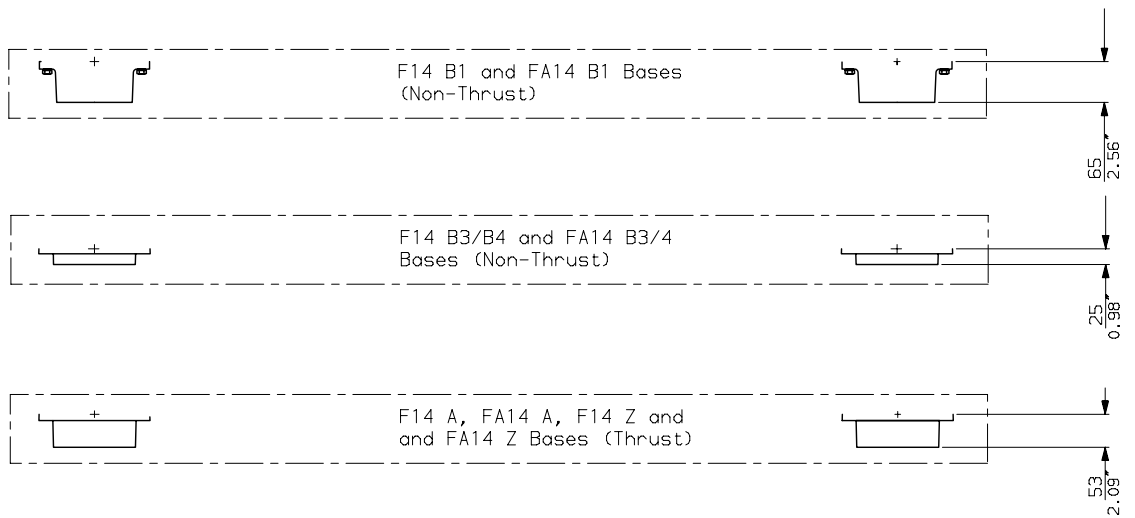
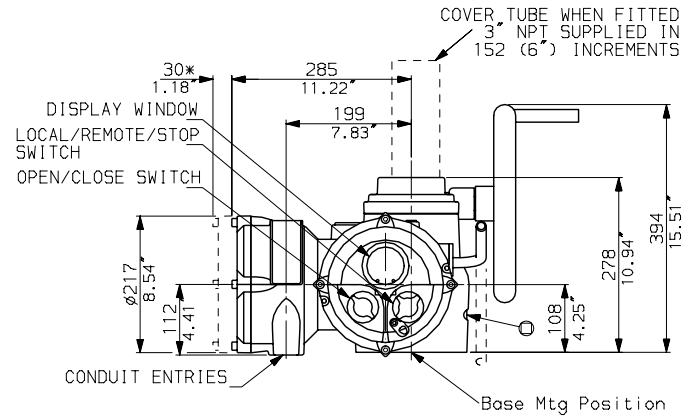
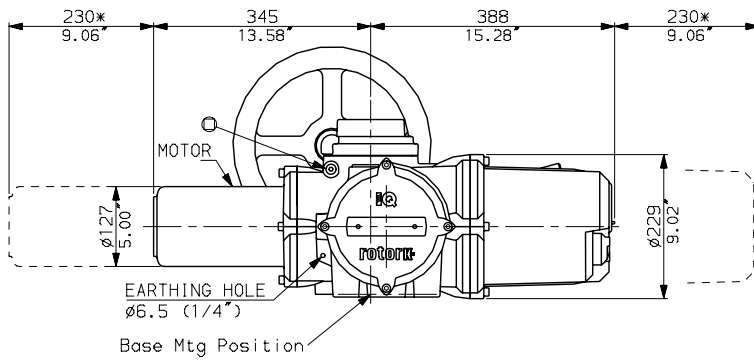
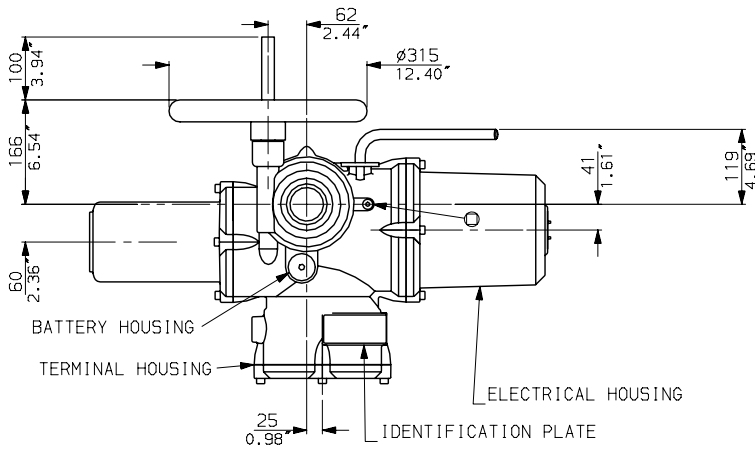
Nos.1 & 3 TAPPED 1" NPT
 No.2 TAPPED 1 1/2" NPT
 STANDARD ALTERNATIVES IF SPECIFIED
 2 X M25, 1 X M40
 2 X PG16, 1 X PG29

NOTES

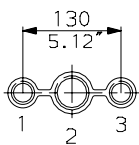
Three BASE options are detailed to suit the relevant Coupling arrangement. The required BASE for the SIDE & END views should be loaded to position indicated.

rotork	Rotork Controls Ltd. Bath, England BA1 3JQ Bath (01225) 733200
	IQ20 (THW) DATA
	Date 241104 Scale 1:12

IQ20-25 WITH OPTIONAL SIDE HANDWHEEL



CONDUIT ENTRIES



Nos.1 & 3 TAPPED 1" NPT
 No.2 TAPPED 1 1/2" NPT
 STANDARD ALTERNATIVES IF SPECIFIED
 2 X M25, 1 X M40
 2 X PG16, 1 X PG29

NOTES

Three BASE options are detailed to suit the relevant Coupling arrangement.
 The required BASE for the SIDE & END views should be loaded to position indicated.

rotork	Rotork Controls Ltd. Bath, England BA1 3JQ Bath (01225) 733200	
	IQ20 (SHW) DATA	
	Date 090500	Scale 1:12