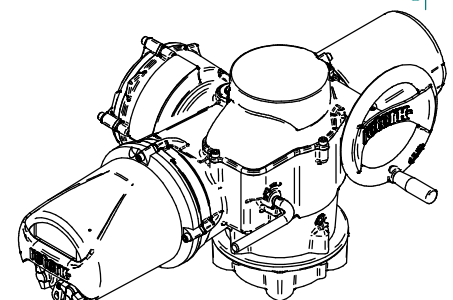
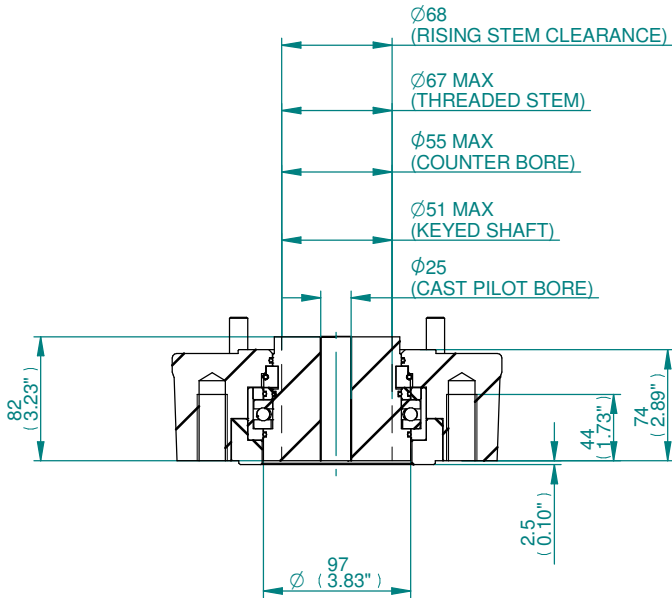
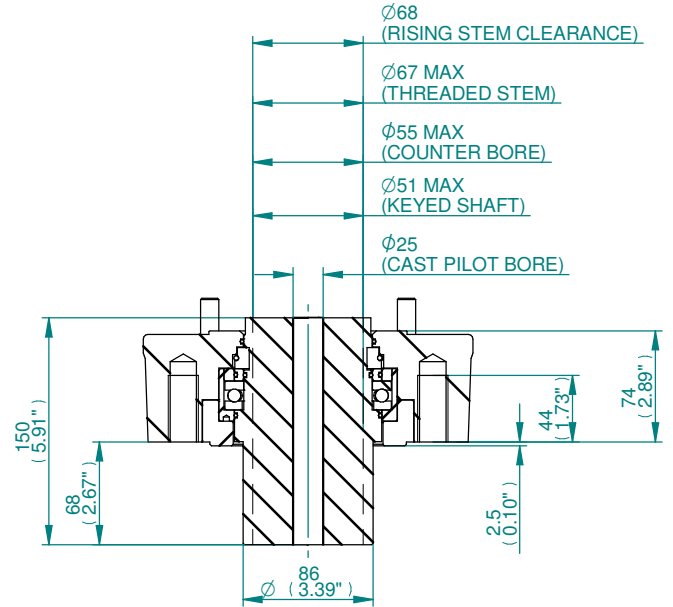


- NOTES**
- FOUR BASE OPTIONS ARE DETAILED TO SUIT THE RELEVANT COUPLING ARRANGEMENT.
  - THE REQUIRED BASE FOR THE SIDE & END VIEWS SHOULD BE LOADED TO MTG POSITION INDICATED.
  - \*\* REMOVAL ALLOWANCE REQUIRED.



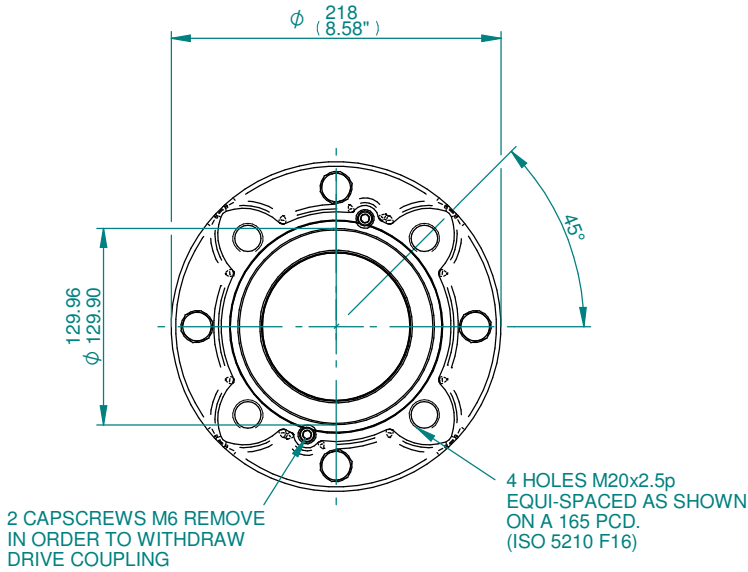


TYPICAL 'A' COUPLING DETAILS

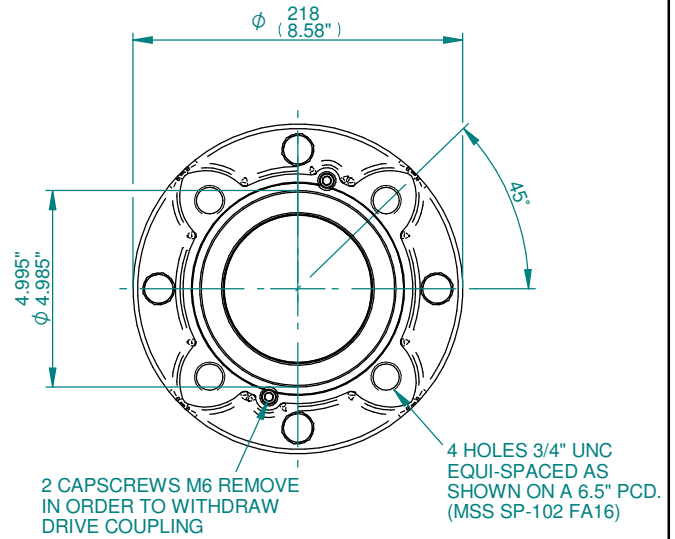


TYPICAL 'Z3' COUPLING DETAILS

NOTE : COUPLINGS WITHOUT PILOT BORE AVAILABLE IF SPECIFIED WITH ORDER.

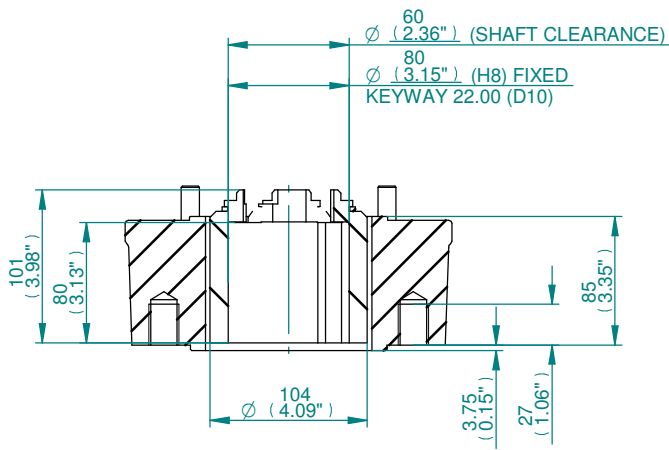


F16 BASE DETAILS FOR 'A' & 'Z3' COUPLINGS

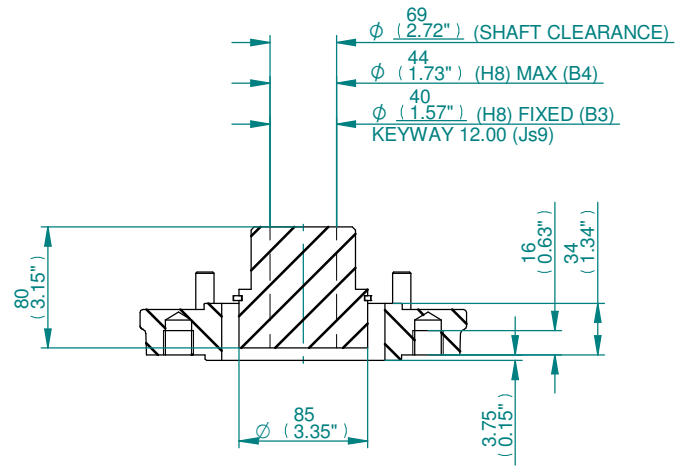


FA16 BASE DETAILS FOR 'A' & 'Z3' COUPLINGS

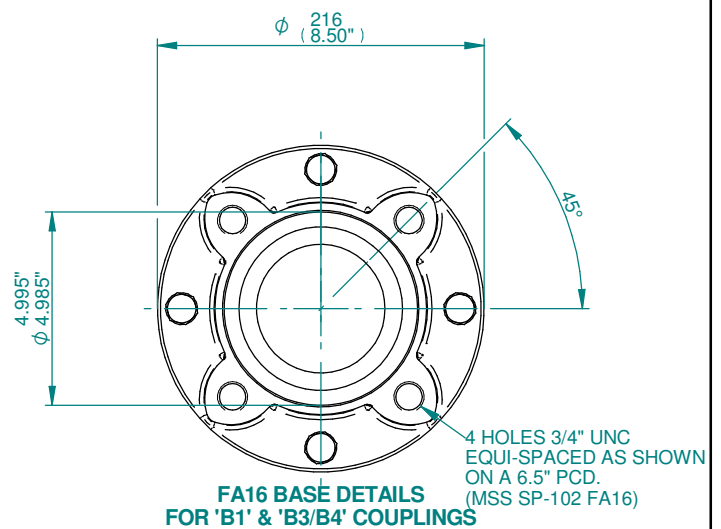
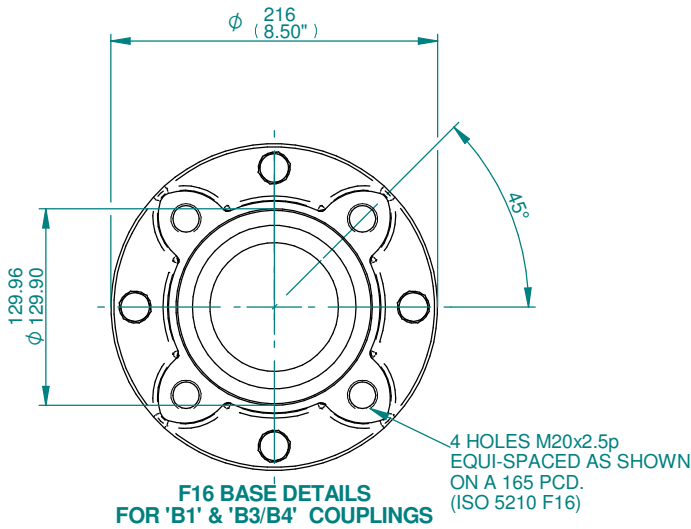
IQ3 SIZE 35 THRUST BASES



TYPICAL 'B1' COUPLING DETAILS



TYPICAL 'B3/B4' COUPLING DETAILS



**IQ3 SIZE 35 NON-THRUST BASES**