

# F-HANDWHEEL

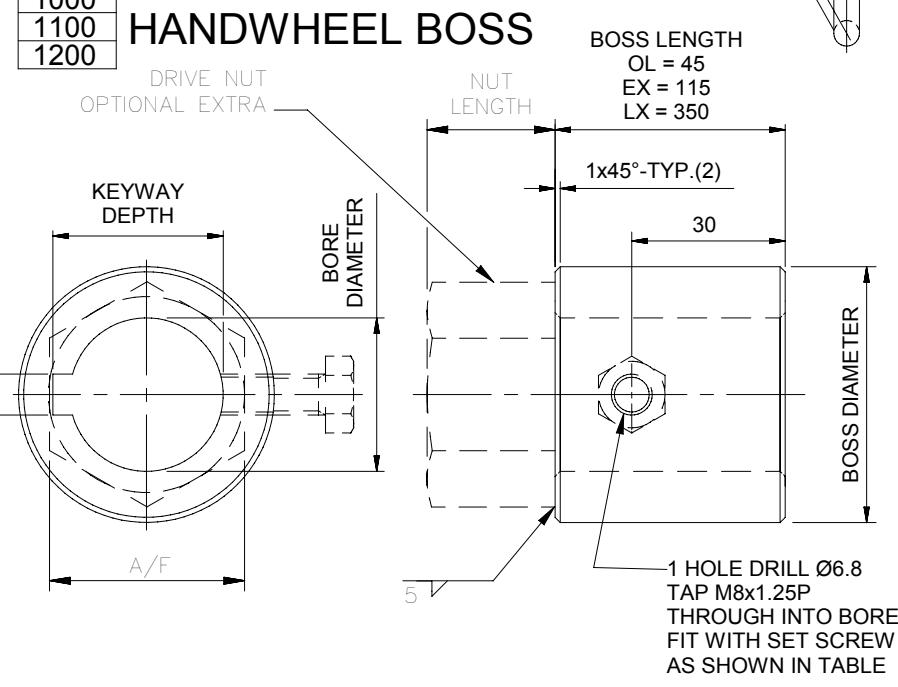
ISSUE	ALTERATIONS
1	CN1358 G.P. 05.04.02
2	CN1425 D.S. 04.12.02
3	CN1477 G.P. 09.09.03
4	CN1547 G.P. 22.07.04
5	CN1896 C.F. 25.06.08
6	CN1951 G.P. 13.02.09
7	WEIGHTS ADDED J.D. 07.09.09
8	CN2090 J DODD 14.05.10
9	CN2122 P DRAKE 15.10.10

HANDWHEEL PART CODE									
MANDATORY SELECTION					OPTIONAL EXTRA ITEMS				
TYPE CODE	HANDWHEEL DIAMETER ±10.00	BORE REF	BOSS LENGTH	HANDWHEEL MATERIAL	ROTATING GRIP	NUT REF	PADLOCKABLE HANDWHEEL	INDICATOR AC = ANTI-CLOCKWISE TO CLOSE CC = CLOCKWISE TO CLOSE	
F	200	A	OL	ST	RG	N1	PAD	AC	
	300	D	EX	SS		N2		CC	
	400	E	LX			N3			
	500	F				N4			
	600	G							
	700	H							
	800	J							
	900	K							
	1000								
	1100								
	1200								

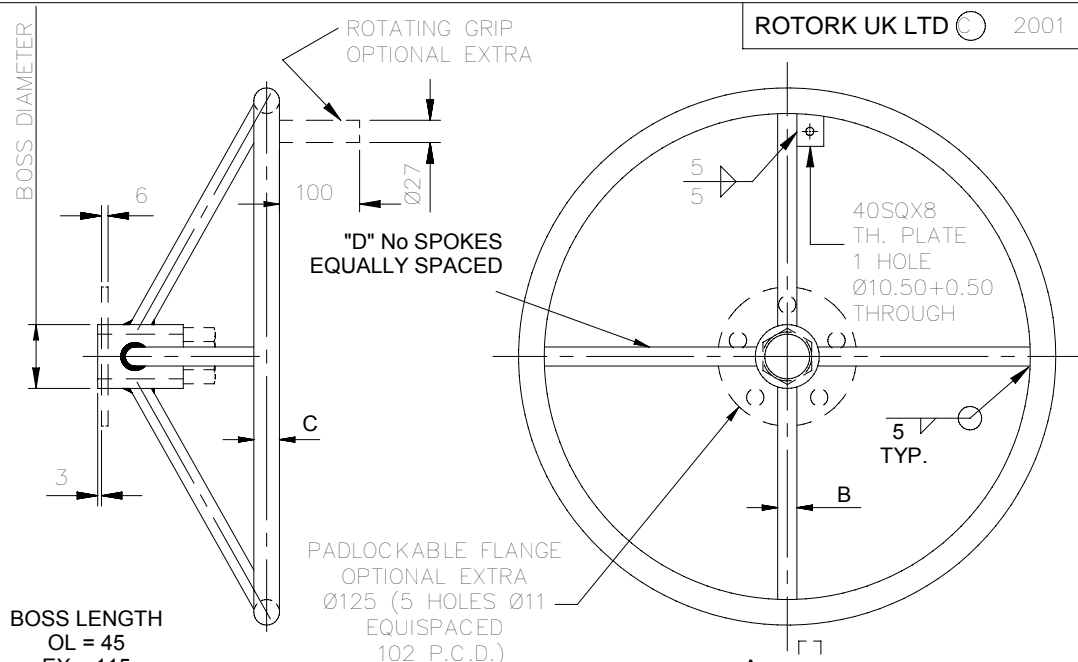
DRIVE NUT			
NUT REF	A/F	NUT LENGTH	NUT TYPE
N1	1.5" <sup>+0</sup> / <sub>-0.038</sub> "	25	HEX
N2	50.80 <sup>+0.00</sup> / <sub>-0.13</sub>	75	SQ
N3	1.0" <sup>+0</sup> / <sub>-0.038</sub> "	51	HEX
N4	2.0" <sup>+0</sup> / <sub>-0.038</sub> "	45	HEX

HANDWHEEL BOSS DIMENSIONS					
BORE REF	BORE DIAMETER +0.02/+0.07	BOSS DIAMETER	KEYWAY WIDTH +0.01/+0.03	KEYWAY DEPTH	
A	12	35	4	13.80	<sup>+0.10</sup> / <sub>0</sub>
D	15	35	5	17.30	<sup>+0.10</sup> / <sub>0</sub>
E	17	45	5	19.30	<sup>+0.10</sup> / <sub>0</sub>
F	20	45	6	22.80	<sup>+0.10</sup> / <sub>0</sub>
G	25	50	8	28.30	<sup>+0.20</sup> / <sub>0</sub>
H	30	50	8	33.30	<sup>+0.20</sup> / <sub>0</sub>
J	40	75	12	43.30	<sup>+0.20</sup> / <sub>0</sub>
K	50	75	14	53.80	<sup>+0.20</sup> / <sub>0</sub>

MATERIAL	
CODE	MATERIAL DESCRIPTION
ST	BLACK POWDER COATED MILD STEEL M8X20 HEX SET SCREW ZINC PLATED
SS	STAINLESS STEEL GRADE 304 M8X20 HEX SET SCREW ST/ST
316	STAINLESS STEEL GRADE 316 M8X20 HEX SET SCREW ST/ST



BOSS LENGTH  
OL = 45  
EX = 115  
LX = 350



PART No	A	B	C	D	E MIN	APPROX WT (KG)
F 200	Ø200	Ø12 - BAR	Ø12 - BAR	3	53	1.25
F 300	Ø300	Ø12 - BAR	19 (3/4")OD - TUBE (16 SWG)	3	78	1.49
F 400	Ø400	Ø12 - BAR	19 (3/4")OD - TUBE (16 SWG)	4	78	2.35
F 500	Ø500	Ø12 - BAR	25.4 (1")OD - TUBE (16 SWG)	4	78	3.13
F 600	Ø600	Ø12 - BAR	25.4 (1")OD - TUBE (16 SWG)	4	78	3.60
F 700	Ø700	Ø12 - BAR	25.4 (1")OD - TUBE (16 SWG)	6	78	4.64
F 800	Ø800	Ø15 - BAR	25.4 (1")OD - TUBE (16 SWG)	6	78	6.30
F 900	Ø900	Ø15 - BAR	25.4 (1")OD - TUBE (16 SWG)	6	78	6.88
F 1000	Ø1000	Ø15 - BAR	25.4 (1")OD - TUBE (16 SWG)	6	78	7.71
F 1100	Ø1100	Ø15 - BAR	25.4 (1")OD - TUBE (16 SWG)	6	78	9.05
F 1200	Ø1200	Ø15 - BAR	25.4 (1")OD - TUBE (16 SWG)	8	78	10.69

**ROTORK UK LTD**

REGINA HOUSE  
RING ROAD  
BRAMLEY  
LEEDS  
WEST YORKSHIRE

MATERIAL: - SEE TABLE

DRAWN: - G.P. 07.06.01

CHECKED: - C.FLESHER 20.10.10

PROJECT: - FABRICATED HANDWHEEL

SCALE: NTS

HEAT TREATMENT

PROTECTIVE TREATMENT  
SUITABLY PROTECT FOR STORAGE

**F-HANDWHEEL**