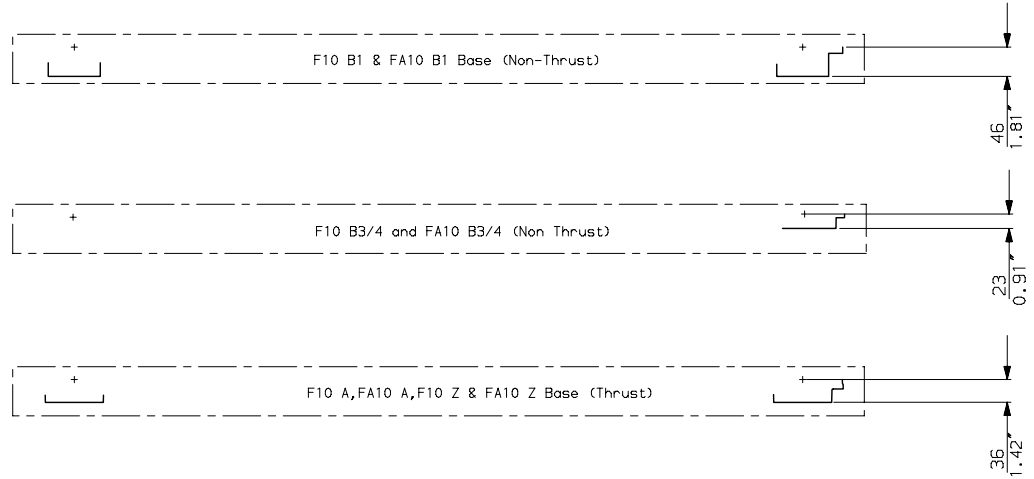
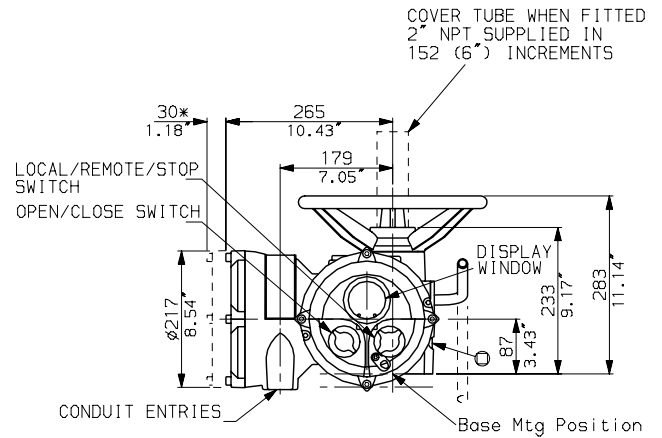
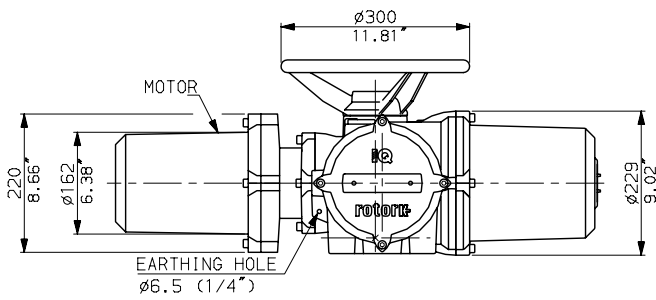
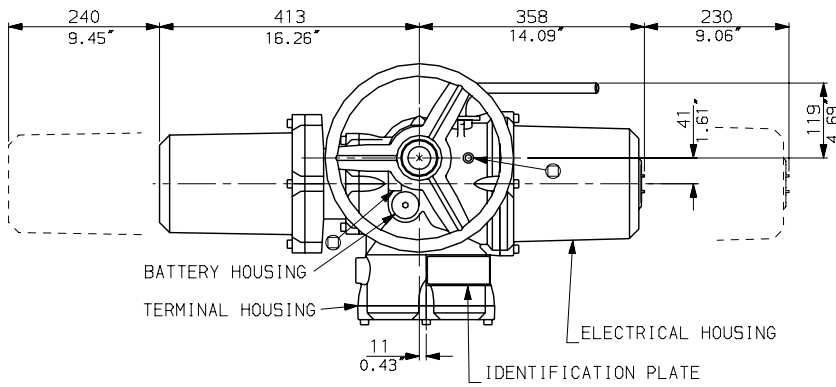
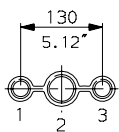


IQ10-18 DC WITH STANDARD HANDWHEEL



CONDUIT ENTRIES



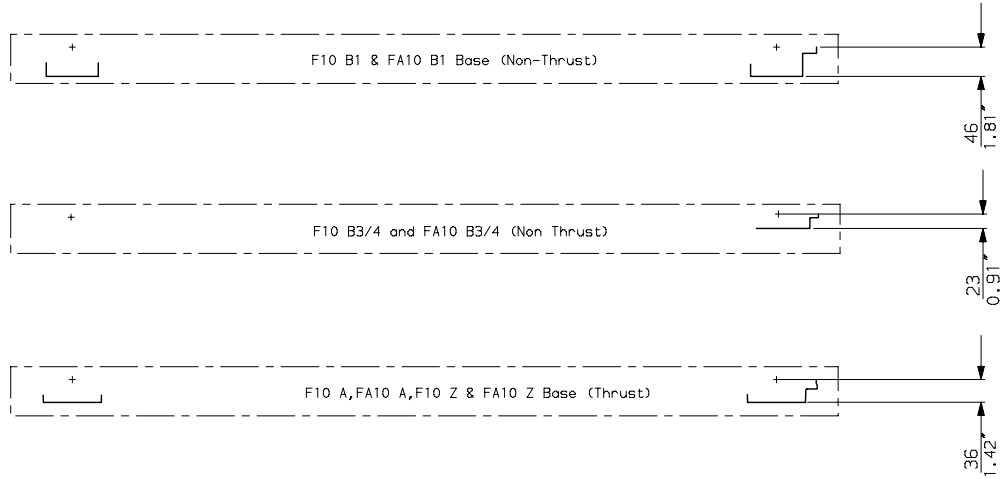
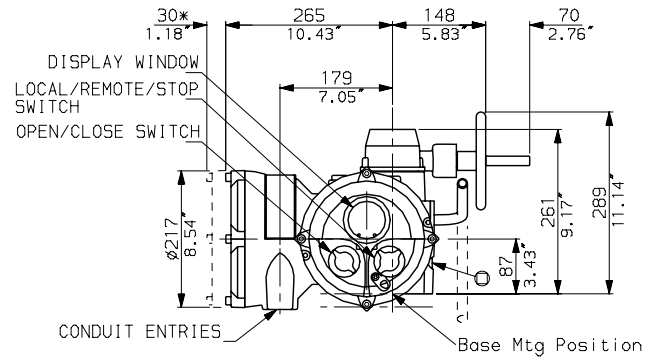
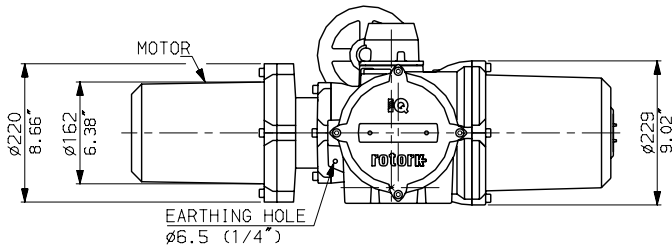
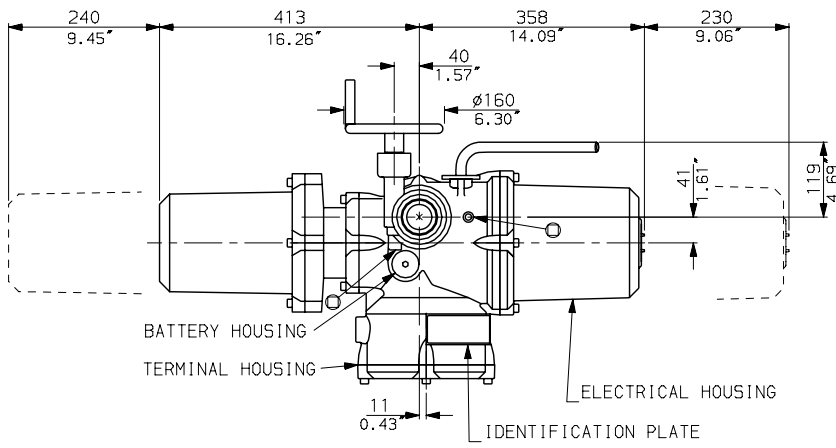
Nos.1 & 3 TAPPED 1" NPT
No.2 TAPPED 1 1/2" NPT
STANDARD ALTERNATIVES IF SPECIFIED
2 X M25, 1 X M40
2 X PG16, 1 X PG29

NOTES

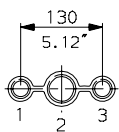
Three BASE options are detailed to suit the relevant Coupling arrangement. The required BASE for the SIDE & END views should be loaded to position indicated. (The B4 base cannot be seen due to the conduit entries).

rotork	Rotork Controls Ltd. Bath, England BA1 3JQ Bath (01225) 733200
	IQ10 (THW) DC DATA Date 140605 Scale 1:12

IQ10-18 DC WITH OPTIONAL SIDE HANDWHEEL



CONDUIT ENTRIES



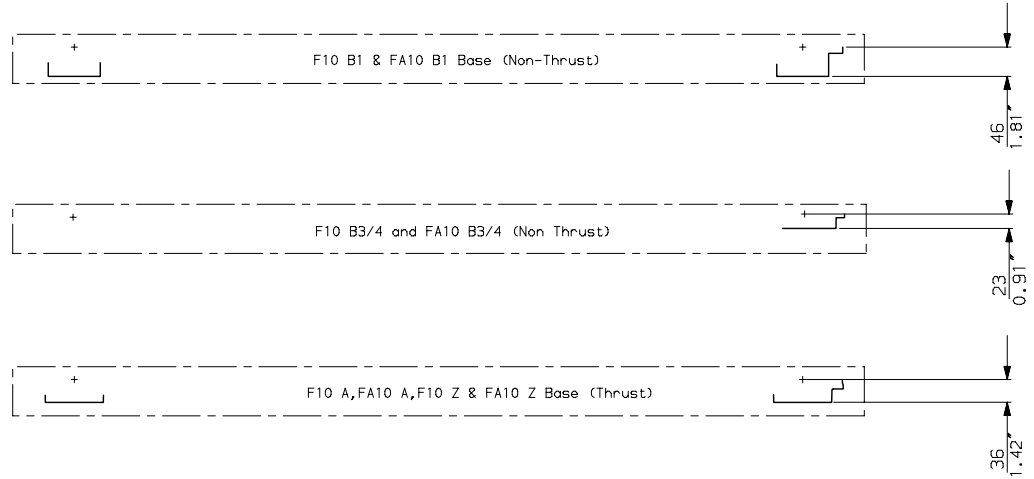
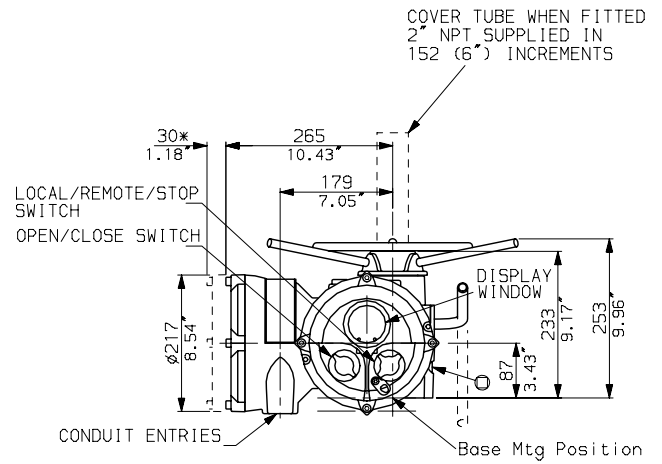
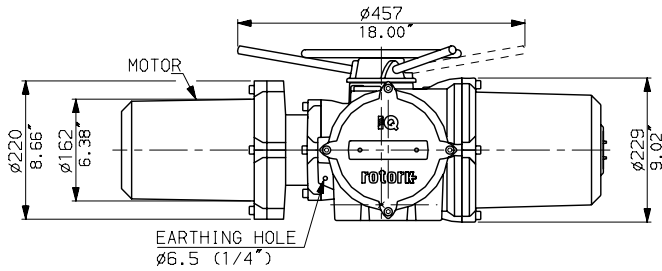
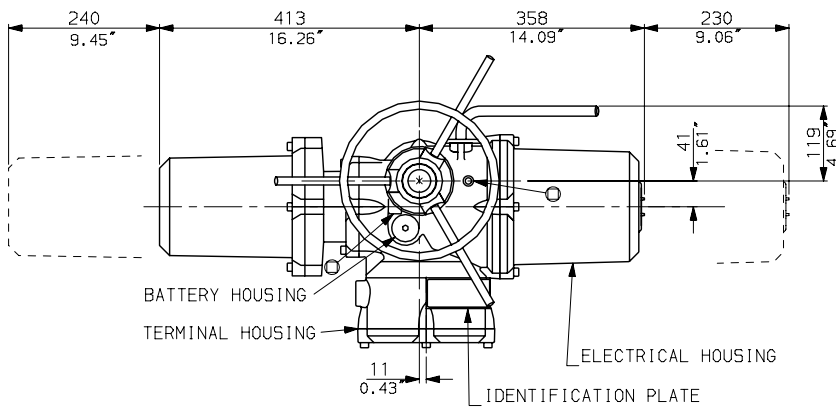
Nos.1 & 3 TAPPED 1" NPT
 No.2 TAPPED 1 1/2" NPT
 STANDARD ALTERNATIVES IF SPECIFIED
 2 X M25, 1 X M40
 2 X PG16, 1 X PG29

NOTES

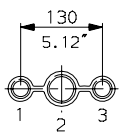
Three BASE options are detailed to suit the relevant Coupling arrangement. The required BASE for the SIDE & END views should be loaded to position indicated. (The B4 base cannot be seen due to the conduit entries).

rotork	Rotork Controls Ltd. Bath, England BA1 3JQ Bath (01225) 733200	
	IQ10 (SHW) DC DATA	Date 140605 Scale 1:12

IQ10-18 DC WITH OPTIONAL LARGE TOP HANDWHEEL



CONDUIT ENTRIES



Nos.1 & 3 TAPPED 1" NPT
 No.2 TAPPED 1 1/2" NPT
 STANDARD ALTERNATIVES IF SPECIFIED
 2 X M25, 1 X M40
 2 X PG16, 1 X PG29

NOTES

Three BASE options are detailed to suit the relevant Coupling arrangement. The required BASE for the SIDE & END views should be loaded to position indicated. (The B4 base cannot be seen due to the conduit entries).

rotork	Rotork Controls Ltd. Bath, England BA1 3JQ Bath (01225) 733200	
	IQ10 (LTHW) DC DATA	Date 140605 Scale 1:12