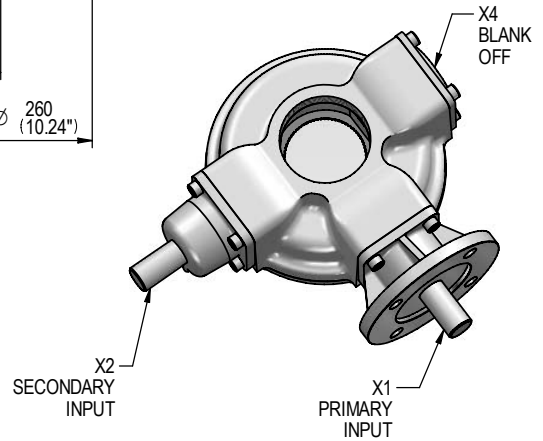
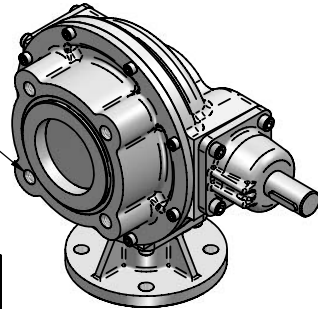
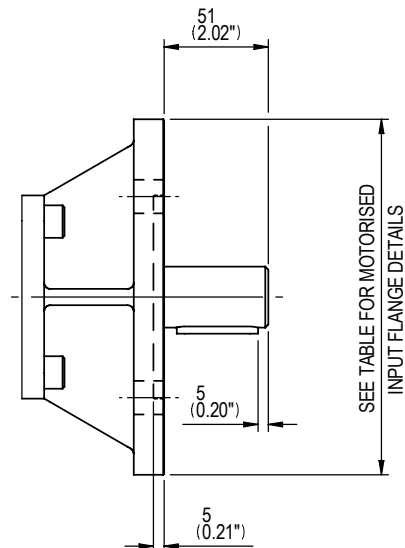


SEE TABLE FOR  
BASEPLATE  
HOLE DETAILS



BASEPLATE DETAILS		
	SPIGOT DIA.	HOLE DETAILS (45° OFF CENTRES)
ISO F16	Ø129.95 -0.05 (Ø5.116" -0.002")	4 HOLES M20x25 (0.98") DEEP ON Ø165.0 (Ø6.50") P.C.
FA16	Ø126.87 -0.25 (Ø4.995" -0.010")	4 HOLES 3/4"UNCx25 (0.98") DEEP ON Ø165.0 (Ø6.50") P.C.

MOTORISED INPUT FLANGE DETAILS					
	FLANGE O/DIA. & THICKNESS	SHAFT DIA.	RECESS DIA.	HOLE DETAILS (OFF CENTRES)	KEY DETAILS
ISO F10	Ø125 (Ø4.92") x 10 (0.39")	Ø20.00 -0.05 (Ø0.787" -0.002")	Ø70.05 +0.05 (Ø2.758" +0.002")	4 HOLES Ø10.5 (Ø0.41") ON Ø102.0 (Ø4.02") P.C.	KEY 6x6x40 (0.24"x0.24"x1.57")
FA10	Ø125 (Ø4.92") x 10 (0.39")	Ø20.00 -0.05 (Ø0.787" -0.002")	Ø58.75 +0.05 (Ø2.313" +0.002")	4 HOLES Ø10.5 (Ø0.41") ON Ø102.0 (Ø4.02") P.C.	KEY 6x6x40 (0.24"x0.24"x1.57")
ISO F14	Ø175 (Ø6.89") x 15 (0.59")	Ø30.00 -0.05 (Ø1.181" -0.002")	Ø100.05 +0.05 (Ø3.939" +0.002")	4 HOLES Ø16.5 (Ø0.65") ON Ø140.0 (Ø5.51") P.C.	KEY 8x7x40 (0.31"x0.28"x1.57")
FA14	Ø175 (Ø6.89") x 15 (0.59")	Ø30.00 -0.05 (Ø1.181" -0.002")	Ø95.27 +0.05 (Ø3.751" +0.002")	4 HOLES Ø16.5 (Ø0.65") ON Ø140.0 (Ø5.51") P.C.	KEY 8x7x40 (0.31"x0.28"x1.57")
ISO F16	Ø210 (Ø8.27") x 20 (0.79")	Ø30.00 -0.05 (Ø1.181" -0.002")	Ø130.05 +0.05 (Ø5.120" +0.002")	4 HOLES Ø20.5 (Ø0.81") ON Ø165.0 (Ø6.50") P.C.	KEY 8x7x40 (0.31"x0.28"x1.57")
FA16	Ø210 (Ø8.27") x 20 (0.79")	Ø30.00 -0.05 (Ø1.181" -0.002")	Ø126.92 +0.05 (Ø4.997" +0.002")	4 HOLES Ø20.5 (Ø0.81") ON Ø165.0 (Ø6.50") P.C.	KEY 8x7x40 (0.31"x0.28"x1.57")



**ROTORK GEARS**  
REGINA HOUSE  
RING ROAD  
BRAMLEY  
LEEDS  
WEST YORKSHIRE

## IB7 DUAL INPUTS AT 90° BEVEL GEARCASE

DETAILS SUBJECT TO CHANGE WITHOUT PRIOR NOTICE

FOR UP TO DATE DETAILS VISIT [www.rotork.com](http://www.rotork.com)

ISSUE :-	A	SCALE :-	1 : 3.5 (A4)
DATE :-		04/05/2010	
DRAWING No :-		PUB-IB7-DUAL90	