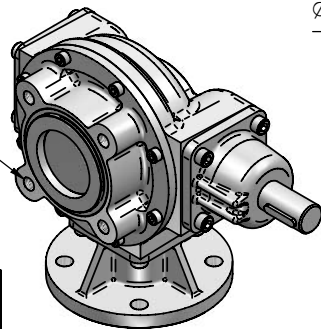
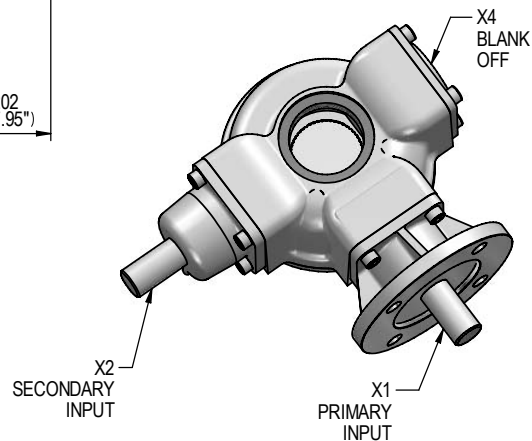


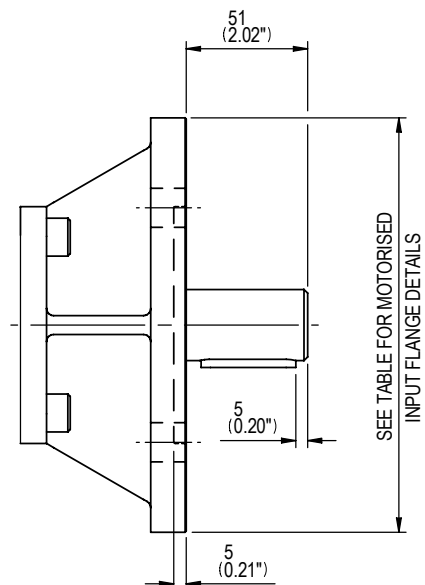
SEE TABLE FOR
BASEPLATE
HOLE DETAILS



BASEPLATE DETAILS		
	SPIGOT DIA.	HOLE DETAILS (45° OFF CENTRES)
ISO F14	Ø99.95 -0.05 (Ø3.935" -0.002")	4 HOLES M16x20 (0.79") DEEP ON Ø140 (Ø5.51") P.C.
FA14	Ø95.22 -0.10 (Ø3.749" -0.004")	4 HOLES 5/8"UNCx20 (0.79") DEEP ON Ø139.7 (Ø5.50") P.C.



MOTORISED INPUT FLANGE DETAILS					
	FLANGE O/DIA. & THICKNESS	SHAFT DIA.	RECESS DIA.	HOLE DETAILS (OFF CENTRES)	KEY DETAILS
ISO F10	Ø125 (Ø4.92") x 10 (0.39")	Ø20.00 -0.05 (Ø0.787" -0.002")	Ø70.05 +0.05 (Ø2.758" +0.002")	4 HOLES Ø10.5 (Ø0.41") ON Ø102.0 (Ø4.02") P.C.	KEY 6x6x40 (0.24"x0.24"x1.57")
FA10	Ø125 (Ø4.92") x 10 (0.39")	Ø20.00 -0.05 (Ø0.787" -0.002")	Ø58.75 +0.05 (Ø2.313" +0.002")	4 HOLES Ø10.5 (Ø0.41") ON Ø102.0 (Ø4.02") P.C.	KEY 6x6x40 (0.24"x0.24"x1.57")
ISO F14	Ø175 (Ø6.89") x 15 (0.59")	Ø30.00 -0.05 (Ø1.181" -0.002")	Ø100.05 +0.05 (Ø3.939" +0.002")	4 HOLES Ø16.5 (Ø0.65") ON Ø140.0 (Ø5.51") P.C.	KEY 8x7x40 (0.31"x0.28"x1.57")
FA14	Ø175 (Ø6.89") x 15 (0.59")	Ø30.00 -0.05 (Ø1.181" -0.002")	Ø95.27 +0.05 (Ø3.751" +0.002")	4 HOLES Ø16.5 (Ø0.65") ON Ø140.0 (Ø5.51") P.C.	KEY 8x7x40 (0.31"x0.28"x1.57")



ROTORK GEARS
REGINA HOUSE
RING ROAD
BRAMLEY
LEEDS
WEST YORKSHIRE

IB5 DUAL INPUTS AT 90° BEVEL GEARCASE

DETAILS SUBJECT TO CHANGE WITHOUT PRIOR NOTICE

FOR UP TO DATE DETAILS VISIT www.rotork.com

ISSUE :-	A	SCALE :-	1 : 3 (A4)
DATE :-	04/05/2010		
DRAWING No :-	PUB-IB5-DUAL90		