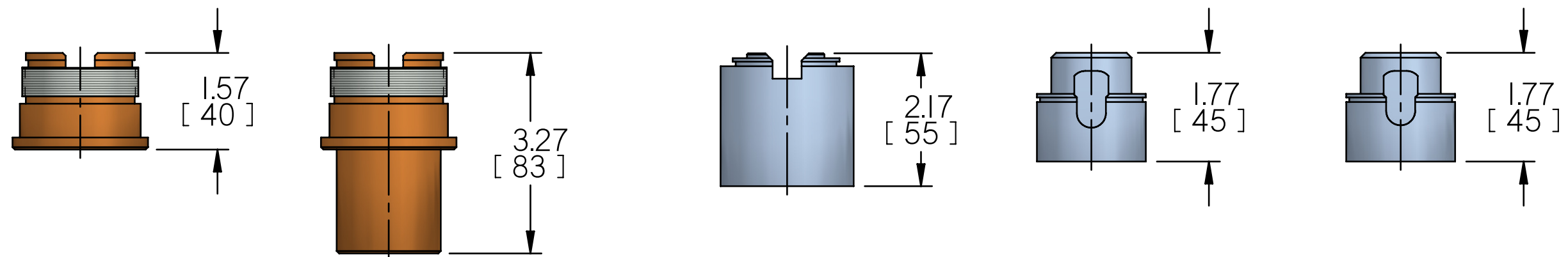
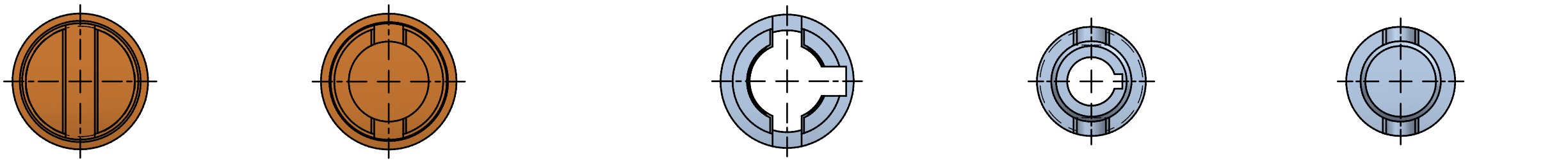
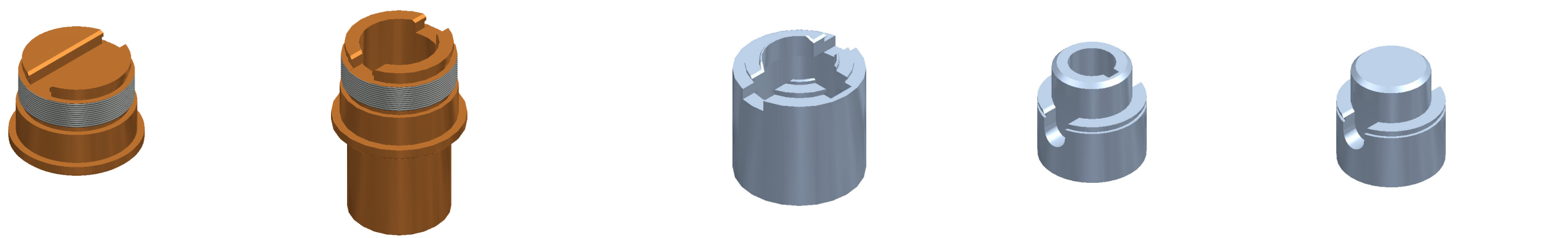


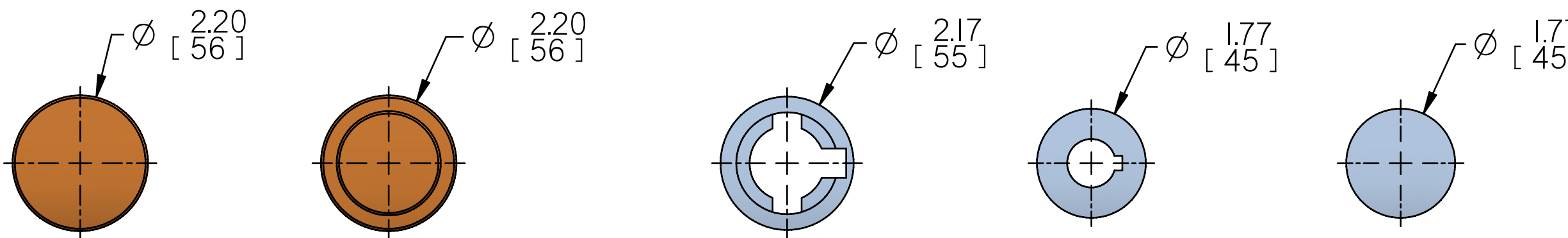
IQ Sizes:
10, 12, 18

AWT Sizes:
10A, 12A, 18A

B



A



'A' TYPE

'Z3' TYPE

'BI' TYPE

'B3' TYPE

'B4' TYPE

01	071609	RAR	First Issue.
Issue	Date	Initials	Modification Details

rotork
Rotork Controls Inc
Rochester, NY 14624
Telephone (585) 247-2304
Fax (585) 247-2308
http://www.rotork.com

Title IQmk2 DRIVE BUSHING ID CHART		
Drawn R.RIOCH	Checked MT	Date 07/16/2009
Material & Spec. —		
Treatment —		

MANUFACTURING DIMENSIONS SPECIFIED IN INCHES.
UNSPECIFIED DIMENSIONAL TOLERANCES:-
MACHINED(.XX) = ±.010", MACHINED(.XXX) = ±.005", CAST = ±1/32", ANGULAR = ±1/2°
UNSPECIFIED MACHINED RADII = 1/32" MAXIMUM.
SURFACE FINISH INDICATED IN MICROMETERS.
DIMENSIONING AND TOLERANCING IN ACCORDANCE WITH ASME Y14.5M-1994
THREAD TOLERANCES- METRIC TO BS3643 CLASS 6H+6g, UNIFIED TO BS1580 CLASS 2A+2B.
PART NUMBER TO BE PERMANENTLY MARKED ONTO COMPONENT AT POSITION MARKED THUS:- ☒
REMOVE ALL BURRS AND SHARP EDGES.

Projection 	Scale DNS	Do Not Scale	PRE-PRODUCTION ISSUE INDICATED WITH LETTER. PRODUCTION ISSUE INDICATED WITH NUMERAL
B	Part Number DOC1683	Issue No 01	Sheet No 1 of 6

1

2

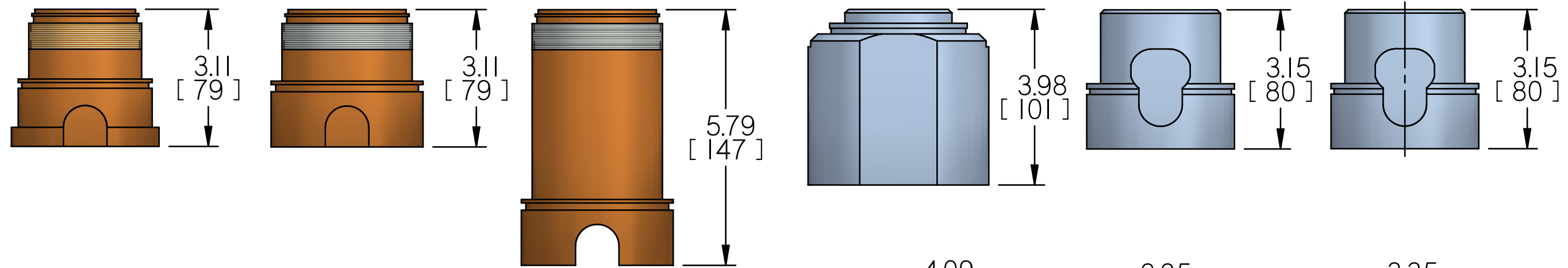
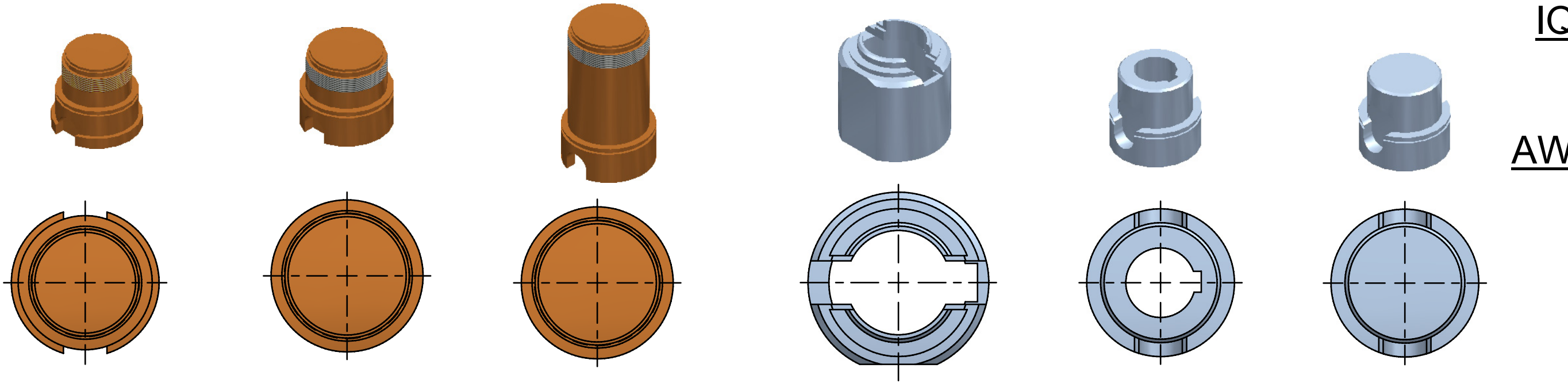
3

4

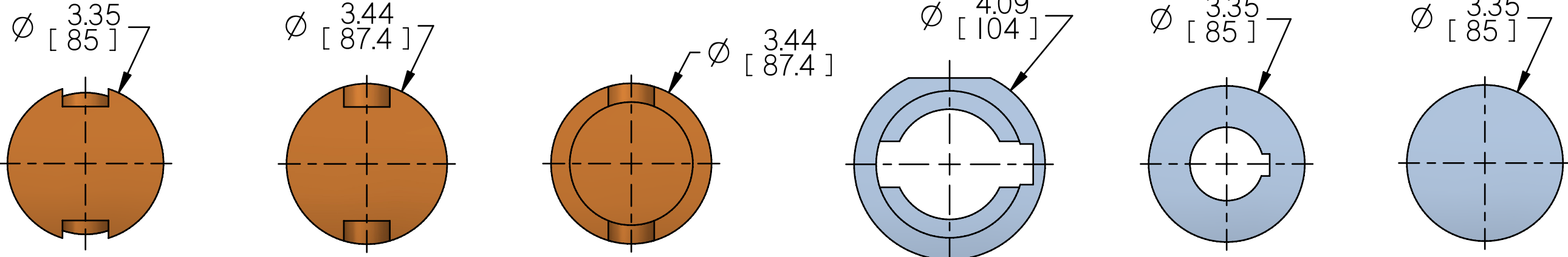
IQ Sizes:
35

AWT Sizes:
35A

B



A



'A' TYPE

'Z' TYPE

'Z3' TYPE

'BI' TYPE

'B3' TYPE

'B4' TYPE

01	071609	RAR	First Issue.
Issue	Date	Initials	Modification Details

rotork
Rotork Controls Inc
Rochester, NY 14624
Telephone (585) 247-2304
Fax (585) 247-2308
http://www.rotork.com

Title IQmk2 DRIVE BUSHING ID CHART		
Drawn R.RIOCH	Checked MT	Date 07/16/2009
Material & Spec. —		
Treatment —		

MANUFACTURING DIMENSIONS SPECIFIED IN INCHES.
UNSPECIFIED DIMENSIONAL TOLERANCES:-
MACHINED(.XX) = ±.010", MACHINED(.XXX) = ±.005", CAST = ±1/32", ANGULAR = ±1/2°
UNSPECIFIED MACHINED RADII = 1/32" MAXIMUM.
SURFACE FINISH INDICATED IN MICROMETERS.
DIMENSIONING AND TOLERANCING IN ACCORDANCE WITH ASME Y14.5M-1994
THREAD TOLERANCES- METRIC TO BS3643 CLASS 6H+6g, UNIFIED TO BS1580 CLASS 2A+2B.
PART NUMBER TO BE PERMANENTLY MARKED ONTO COMPONENT AT POSITION MARKED THUS:- ☒
REMOVE ALL BURRS AND SHARP EDGES.

Projection 	Scale DNS	Do Not Scale	PRE-PRODUCTION ISSUE INDICATED WITH LETTER. PRODUCTION ISSUE INDICATED WITH NUMERAL
B	Part Number DOC1683	Issue No 01	Sheet No 3 of 6

1

2

3

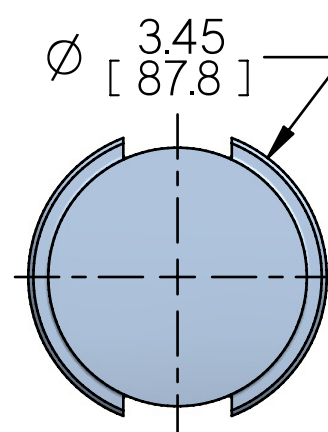
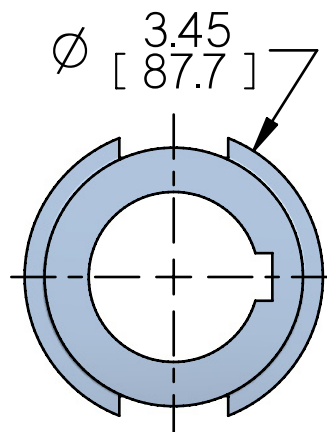
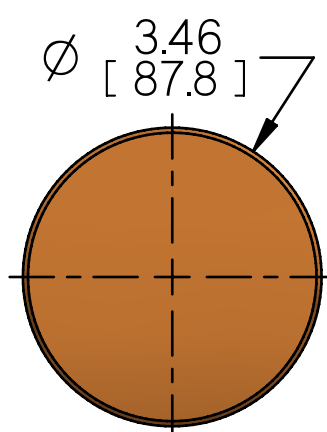
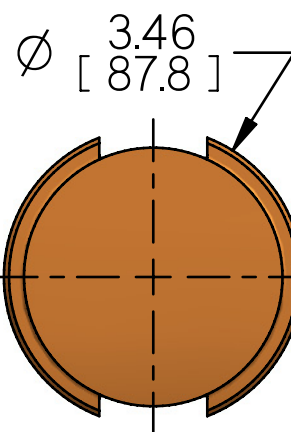
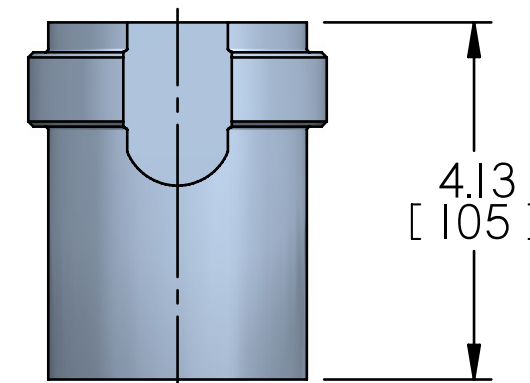
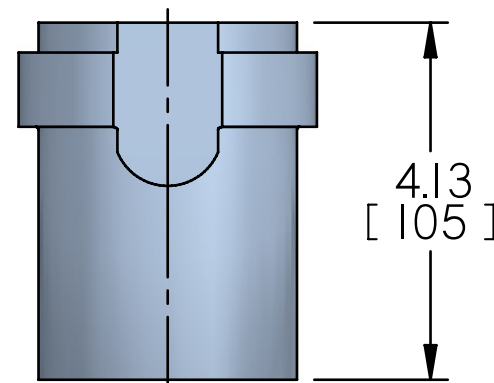
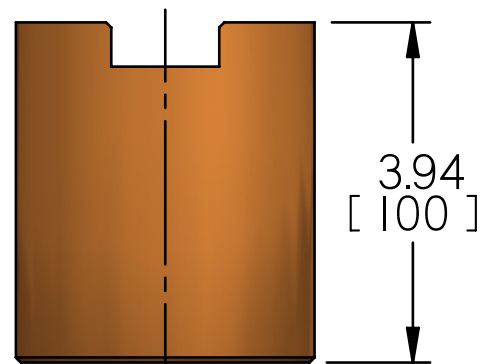
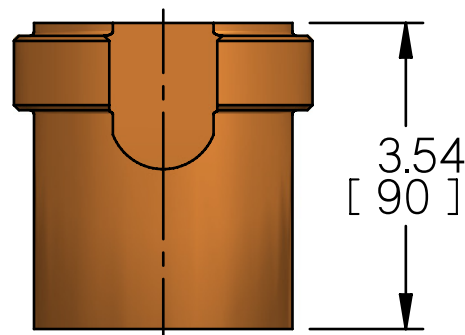
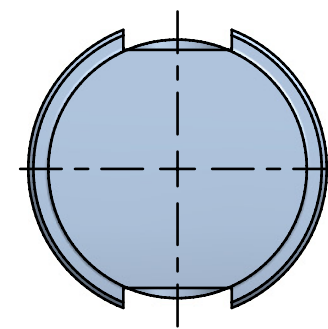
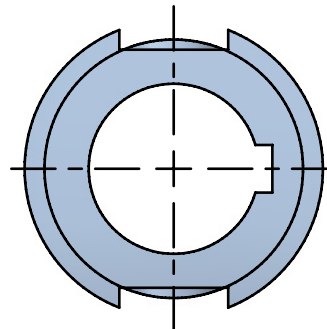
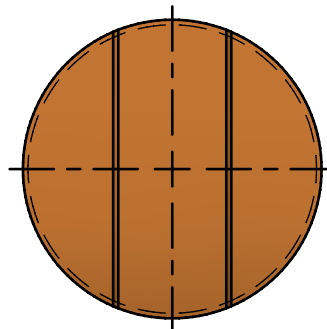
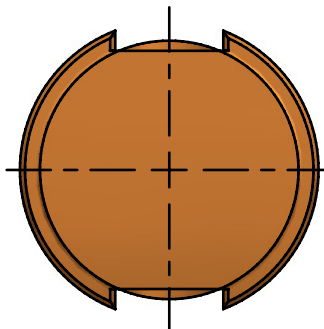
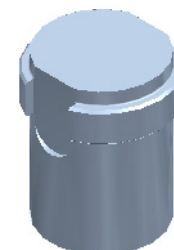
4

IQ Size:
40

A-Range Size:
40A

B

A



'A' TYPE

'73' TYPE

'B3' TYPE

'B4' TYPE

01	071609	RAR	First Issue.
Issue	Date	Initials	Modification Details

rotork
Rotork Controls Inc
Rochester, NY 14624
Telephone (585) 247-2304
Fax (585) 247-2308
http://www.rotork.com

Title IQmk2 DRIVE BUSHING ID CHART		
Drawn R.RIOCH	Checked MT	Date 07/16/2009
Material & Spec. —		
Treatment —		

MANUFACTURING DIMENSIONS SPECIFIED IN INCHES.
UNSPECIFIED DIMENSIONAL TOLERANCES:-
MACHINED(.XX) = ±.010", MACHINED(.XXX) = ±.005", CAST = ±1/32", ANGULAR = ±1/2°
UNSPECIFIED MACHINED RADII = 1/32" MAXIMUM.
SURFACE FINISH INDICATED IN MICROMETERS.
DIMENSIONING AND TOLERANCING IN ACCORDANCE WITH ASME Y14.5M-1994
THREAD TOLERANCES- METRIC TO BS3643 CLASS 6H+6g, UNIFIED TO BS1580 CLASS 2A+2B.
PART NUMBER TO BE PERMANENTLY MARKED ONTO COMPONENT AT POSITION MARKED THUS:- ☒
REMOVE ALL BURRS AND SHARP EDGES.

Projection 	Scale DNS	Do Not Scale	PRE-PRODUCTION ISSUE INDICATED WITH LETTER. PRODUCTION ISSUE INDICATED WITH NUMERAL
B	Part Number DOC1683	Issue No 01	Sheet No 4 of 6

1

2

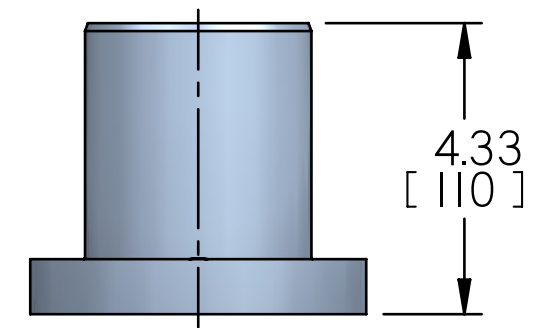
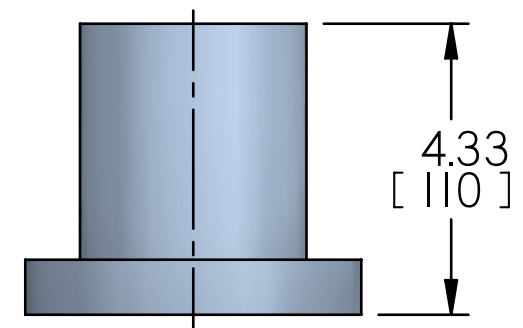
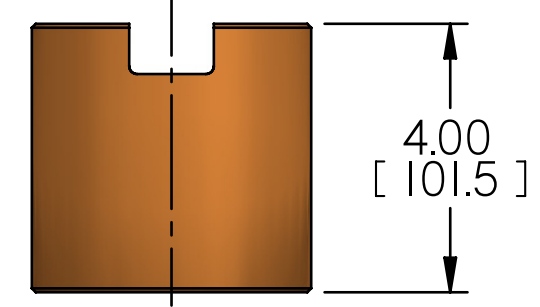
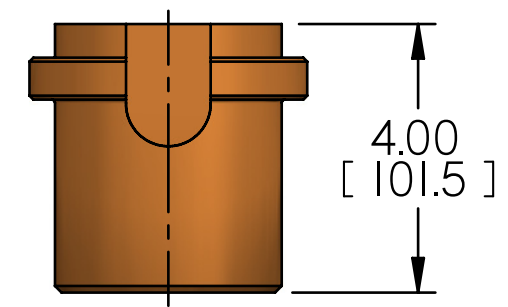
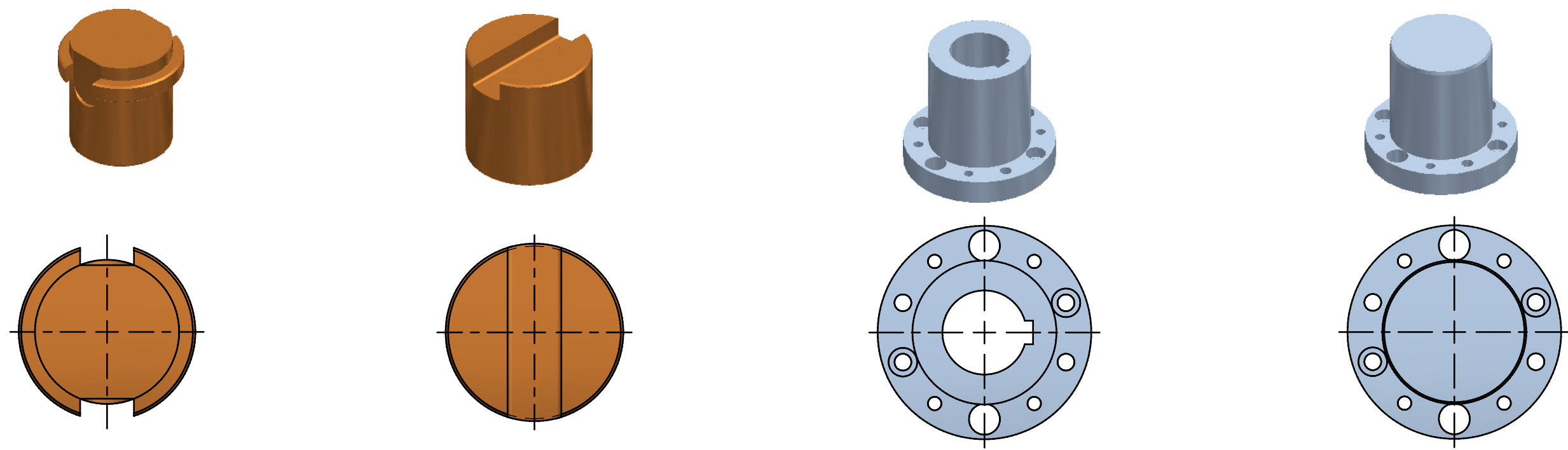
3

4

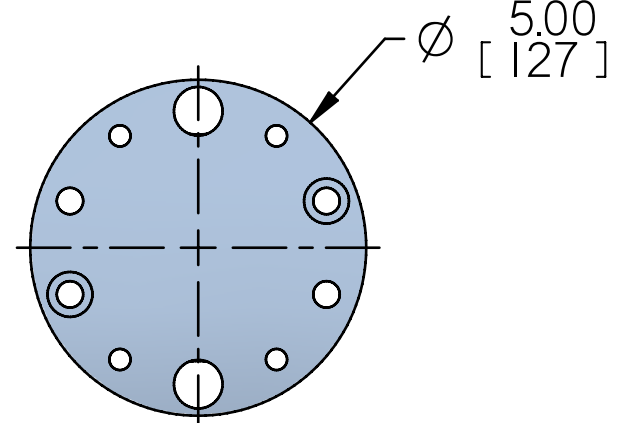
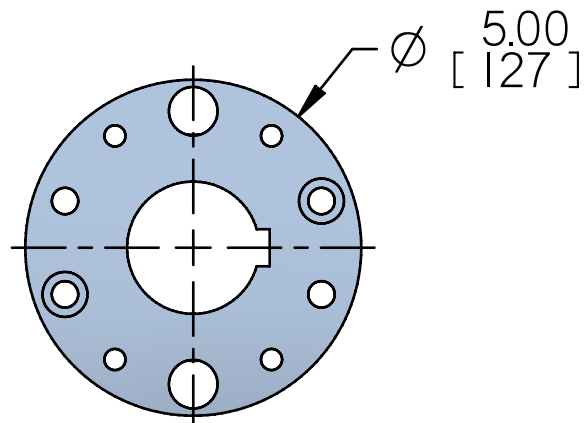
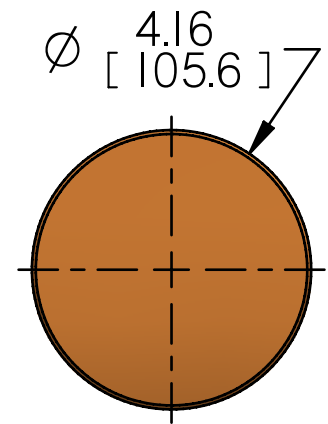
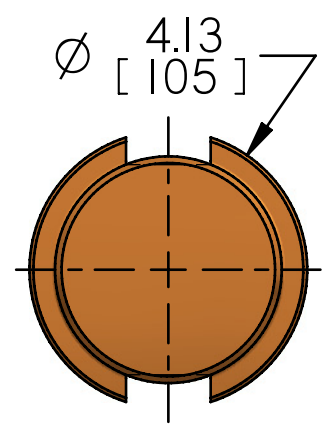
IQ Sizes:
70, 90, 91, 95

A-Range Sizes:
70, 90, 91, 95

B



A



'A' TYPE

'Z3' TYPE

'B3' TYPE

'B4' TYPE

01	071609	RAR	First Issue.
Issue	Date	Initials	Modification Details

rotork
Rotork Controls Inc
Rochester, NY 14624
Telephone (585) 247-2304
Fax (585) 247-2308
http://www.rotork.com

Title IQmk2 DRIVE BUSHING ID CHART		
Drawn R.RIOCH	Checked MT	Date 07/16/2009
Material & Spec.	—	
Treatment	—	

MANUFACTURING DIMENSIONS SPECIFIED IN INCHES.
UNSPECIFIED DIMENSIONAL TOLERANCES:-
MACHINED(.XX) = ±.010", MACHINED(.XXX) = ±.005", CAST = ±1/32", ANGULAR = ±1/2°
UNSPECIFIED MACHINED RADII = 1/32" MAXIMUM.
SURFACE FINISH INDICATED IN MICROMETERS.
DIMENSIONING AND TOLERANCING IN ACCORDANCE WITH ASME Y14.5M-1994
THREAD TOLERANCES- METRIC TO BS3643 CLASS 6H+6g, UNIFIED TO BS1580 CLASS 2A+2B.
PART NUMBER TO BE PERMANENTLY MARKED ONTO COMPONENT AT POSITION MARKED THUS:- ☒
REMOVE ALL BURRS AND SHARP EDGES.

Projection 	Scale DNS	Do Not Scale	PRE-PRODUCTION ISSUE INDICATED WITH LETTER. PRODUCTION ISSUE INDICATED WITH NUMERAL
B	Part Number DOC1683	Issue No 01	Sheet No 5 of 6

1

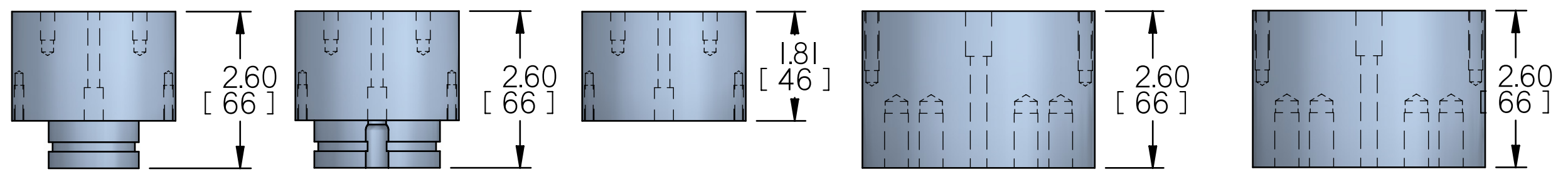
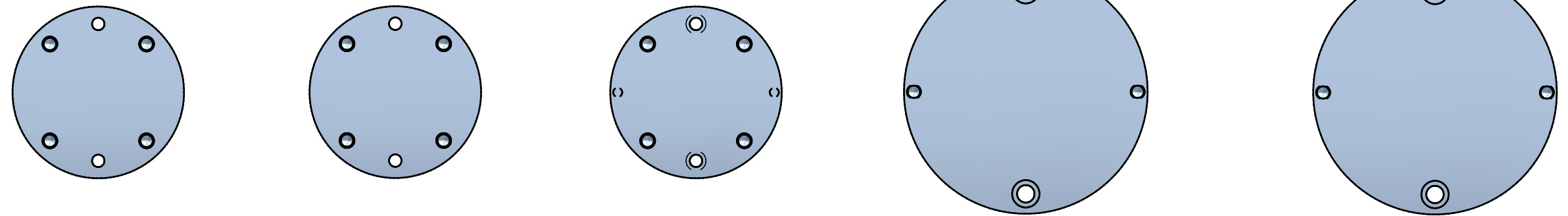
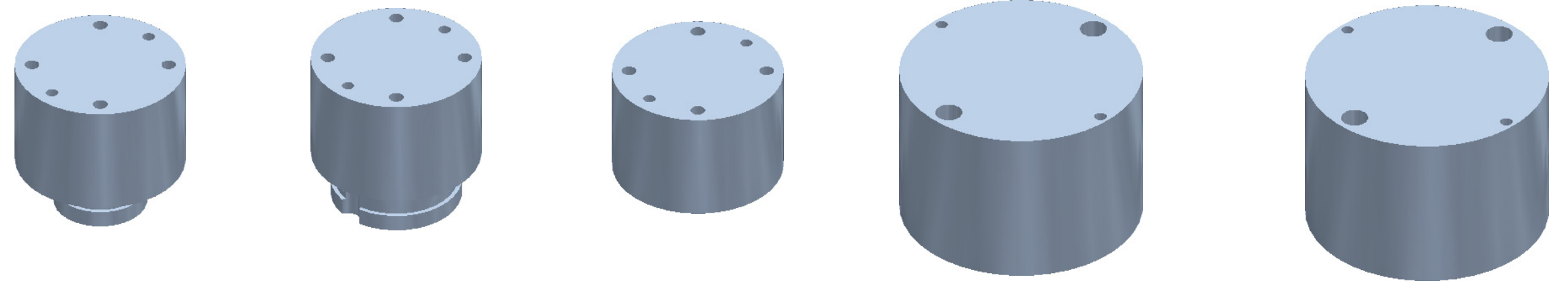
2

3

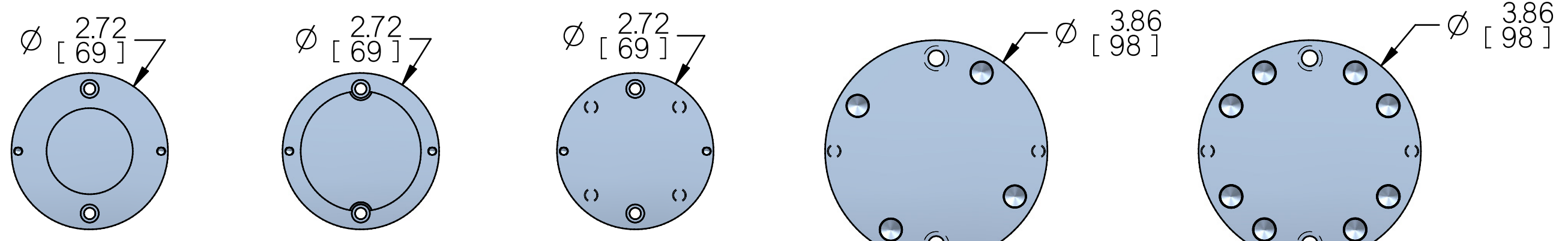
4

IQT Sizes:
 125,250,500
 1000,2000

B



A



F05 / FA05

F07 / FA07

F10 / FA10

F12 / FA12

F14 / FA14

01	071609	RAR	First Issue.
Issue	Date	Initials	Modification Details

rotork
 Rotork Controls Inc
 Rochester, NY 14624
 Telephone (585) 247-2304
 Fax (585) 247-2308
 http://www.rotork.com

Title IQmk2 DRIVE BUSHING ID CHART		
Drawn R.RIOCH	Checked MT	Date 07/16/2009
Material & Spec. —		
Treatment —		

MANUFACTURING DIMENSIONS SPECIFIED IN INCHES.
 UNSPECIFIED DIMENSIONAL TOLERANCES:-
 MACHINED(.XX) = ±.010", MACHINED(.XXX) = ±.005", CAST = ±1/32", ANGULAR = ±1/2°
 UNSPECIFIED MACHINED RADII = 1/32" MAXIMUM.
 SURFACE FINISH INDICATED IN MICROMETERS.
 DIMENSIONING AND TOLERANCING IN ACCORDANCE WITH ASME Y14.5M-1994
 THREAD TOLERANCES- METRIC TO BS3643 CLASS 6H+6g, UNIFIED TO BS1580 CLASS 2A+2B.
 PART NUMBER TO BE PERMANENTLY MARKED ONTO COMPONENT AT POSITION MARKED THUS:- ☒
 REMOVE ALL BURRS AND SHARP EDGES.

Projection 	Scale DNS	Do Not Scale	PRE-PRODUCTION ISSUE INDICATED WITH LETTER. PRODUCTION ISSUE INDICATED WITH NUMERAL
B	Part Number DOC1683	Issue No 01	Sheet No 6 of 6